

### Features

- \* To be installed in moving devices like air cylinder, slide...etc.
- \* Various operating styles.
- \* Panel bore size  $\phi 30$  (Option  $\phi 25$ ).



### How to order

<b>MSV8632</b>		<b>01</b>	<b>N</b>	<b>R</b>				<b>G</b>	
Mechanical valves	Port size	Thread		Operator				Operator color	
MSV8622 Single	01 1/8"	Blank	PS	R	Roller	PB	Palm button (Mushroom)	Blank	Standard color
MSV8642 Stack		N	NPT	RL	One way roller	PP	Palm button (Flush)	G	Green
MSV8632 Single (with exhaust port)				TB	Twist selector	PPL	Palm button (Extended)	B	Black
MSV8662 Stack (with exhaust port)				LB	Long twist selector	EB	Stop cock button	Y	Yellow

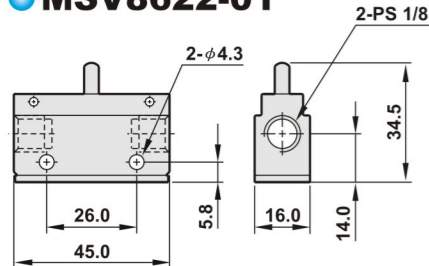
\* MSV8642 & MSV8662 for TB operator only.

### Specifications

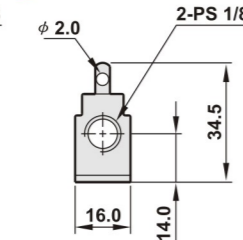
Model	MSV8632-01	MSV8642-01TB
Port size	1/8"	
Body material	Aluminum alloy	
Panel dimension	30mm (Option:25mm)	
Fluid	Compressed air	
Sectional area	1.8mm <sup>2</sup>	
Operating pressure range	0 ~ 9 kgf/cm <sup>2</sup>	
Max. operating pressure	10 kgf/cm <sup>2</sup>	
Ambient temperature	-10°C ~ 60°C	
Standard operator color	Black: TB, LB; Red: PB, PP, PPL, EB	

### Dimensions

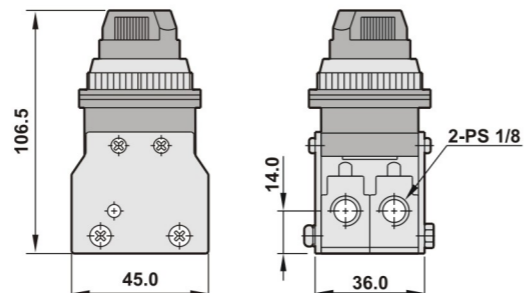
#### MSV8622-01



#### MSV8632-01

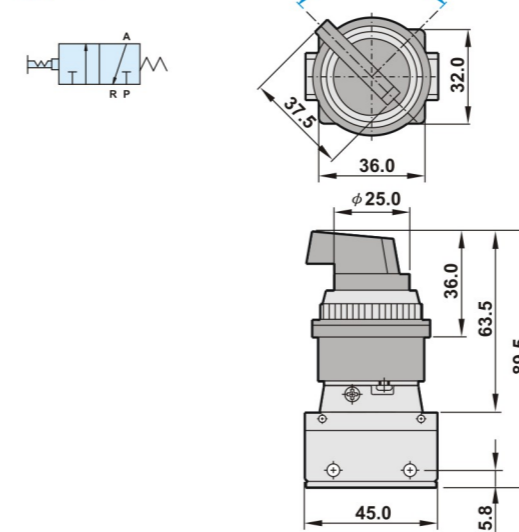


#### MSV8642-01TB MSV8662-01TB

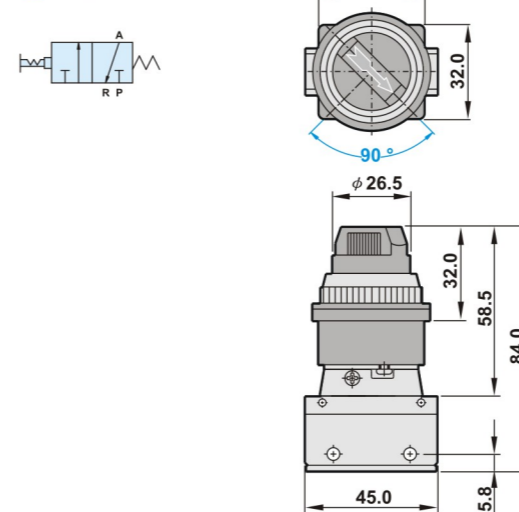


### Dimensions

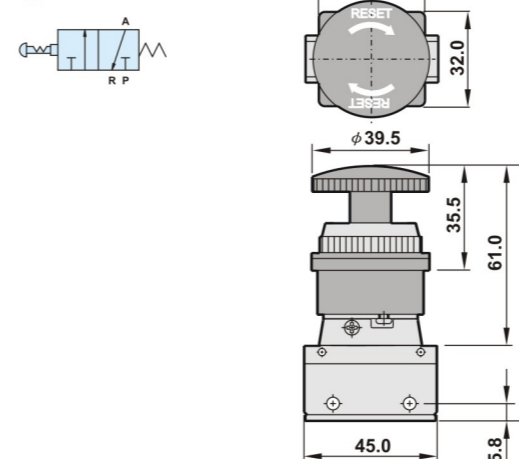
#### LB



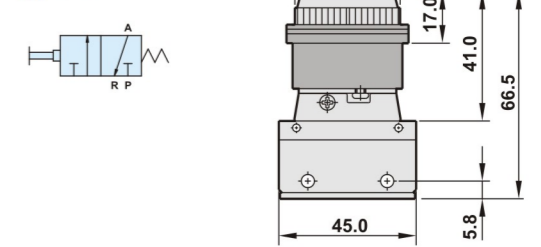
#### TB



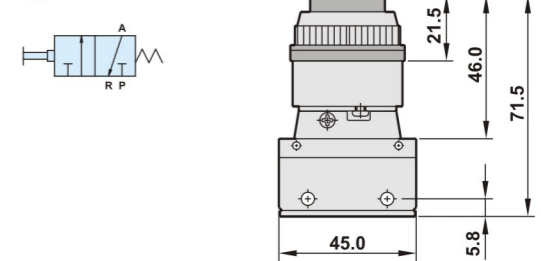
#### EB



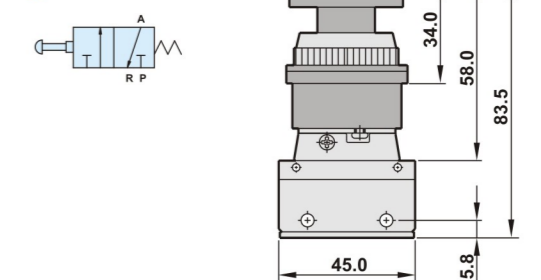
#### PP



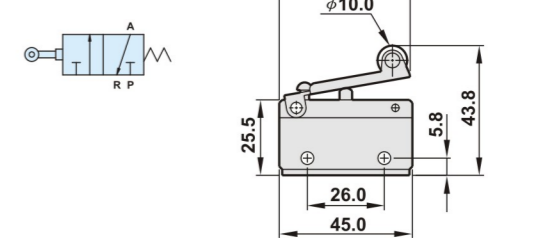
#### PPL



#### PB



#### R



#### RL

