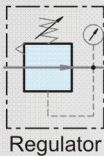


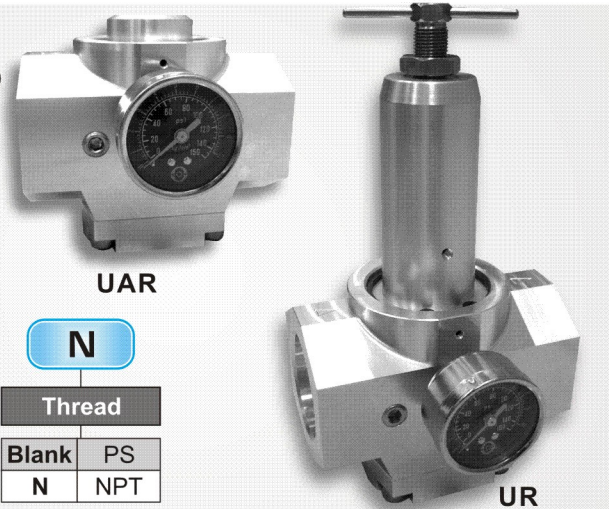
SHAKO 1-1/2", 2" REGULATOR

Symbol



Features

- * Large flow rate (Max. 30000 l/min)
- * Aluminum alloy body, light weight.
- * Pilot regulator is available for remote control.



How to order

UR

20

N

UR	Regulator
UAR	Pilot regulator

Port size	
14	1 1/2"
20	2"

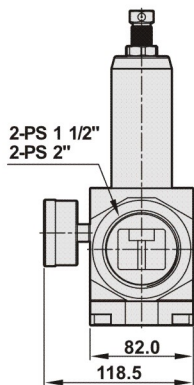
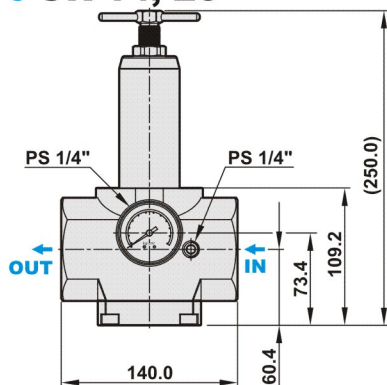
Thread	
Blank	PS
N	NPT

Specifications

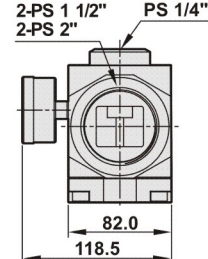
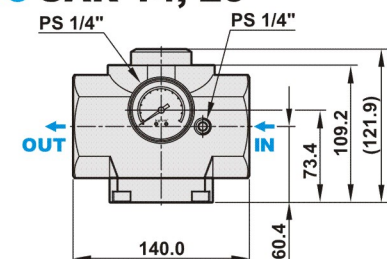
Model	UR-14	UR-20	UAR-14	UAR-20
Port size	1 1/2"	2"	1 1/2"	2"
Fluid	Compressed air			
Regulator construction	Piston			
Operating pressure range	0 ~ 8 kgf/cm ²			
Max. operating pressure	15 kgf/cm ²			
Max. flow rate l/min (6kgf/cm ²)	30000 l/min (input 7 kgf/cm ² output 6 kgf/cm ²)			
Ambient temperature	-10°C ~ 60°C			
Net weight	2.8 kg	2.5 kg	2.2 kg	2.0 kg
Accessories	Pressure gauge, plug			

Dimensions

UR-14, 20



UAR-14, 20



Installation

