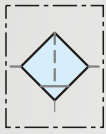


Symbol



Filter

Features

- * Remove water and particle effectively.
- * Compact size with effective air service.
- * 40 μm and 5 μm filter element are easily interchangeable and replaceable.

How to order

F200C

Miniature Filter

02

Port size

01	1/8" Option
02	1/4" Standard

N

Thread

Blank	G
N	NPT

C

Filtration

Blank	5 μm
C	40 μm

H

Drain

Blank	Semi-auto drain
H	Manual drain

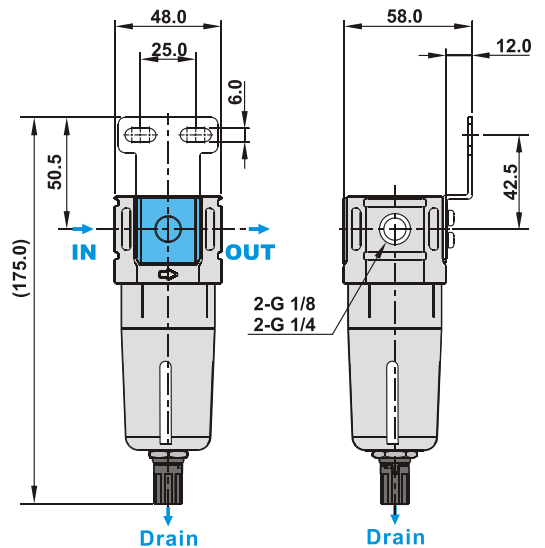


Specifications

Model	F200C-01	F200C-02
Port size	1/8" [Option]	1/4" [Standard]
Fluid	Compressed air	
Body material	Aluminum die-cast	
Bowl material	Polycarbonate (Standard)	
Filtration	5 μm (Standard) - 40 μm (Option)	
Operating pressure range	0.5 ~ 9.9 kgf/cm ²	
Proof pressure (Standard bowl)	12 kgf/cm ²	
Max. flow rate l/min (ANR)	1900	
Ambient temperature	-10 °C ~ 60 °C	
Filter bowl capacity	40cc	
Standard drain	Semi-auto drain (Drains below 0.5kgf/cm ²)	
Net weight	245g	
Accessories	Mounting bracket, Screw x 2	

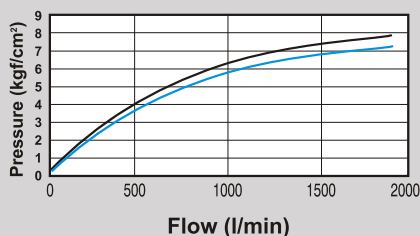
Dimensions

F200C-01, 02



Flow chart

Model: F200C



Note:

X axis: Flow (l/min)
Y axis: Pressure (kgf/cm²)

Blue line (P0) = Outlet pressure
Black line (P1) = Inlet pressure
P1-P0 = Pressure range