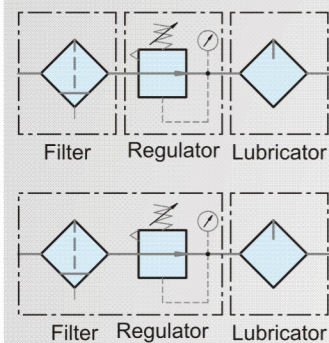


Symbol



Features

- * Remove water and particle effectively.
- * Compact size with effective air service.
- * 40 μ m and 5 μ m filter element are easily interchangeable and replaceable.
- * Accurate and easy pressure setting.
- * Oil spray in mist ensures good lubrication for machines.

How to order

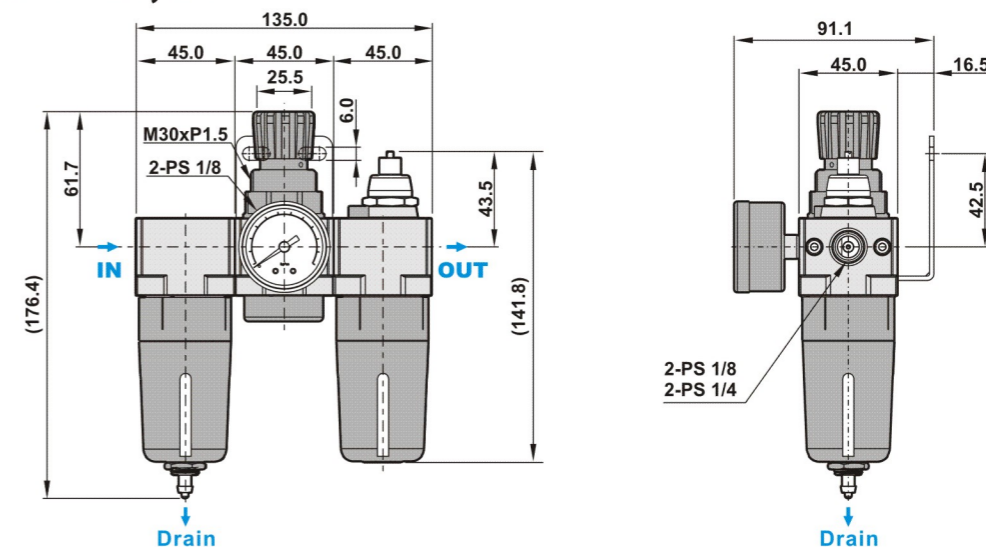
FRL700B		02	N	C	H	K
FRL700B	Miniature Filter+Regulator+Lubricator	Port size	Thread		Filtration	
FRL600B	Miniature Filter Regulator+Lubricator	01	Blank	PS	Blank	5μm
		Option	N	NPT	C	40μm
		02	Drain		Bowl guard	
		1/4" Standard	Blank	Semi-auto drain	Blank	W/O guard
			H	Manual drain	K	W/I guard

Specifications

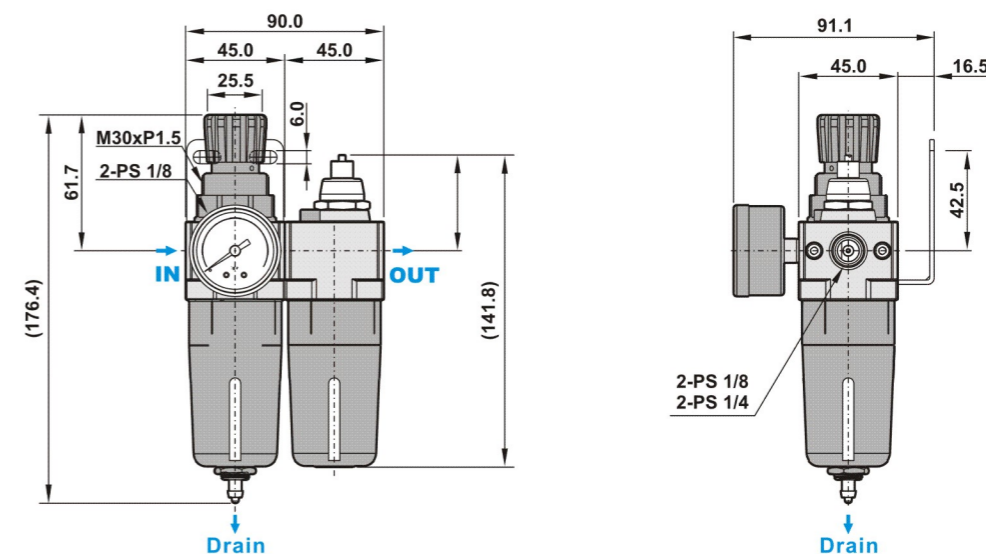
Model	FRL700B-01	FRL700B-02	FRL600B-01	FRL600B-02
Port size	1/8" [Option]	1/4" [Standard]	1/8" [Option]	1/4" [Standard]
Fluid	Compressed air			
Regulator construction	Piston			
Body material	Aluminum die-cast			
Bowl material	Polycarbonate (Standard)			
Filtration	5 μ m (Standard) · 40 μ m (Option)			
Operating pressure range	0.5 ~ 10 kgf/cm ²			
Max. inlet pressure (Standard bowl)	12 kgf/cm ²			
Max. flow rate l/min (6kgf/cm ²)	1875		1750	1850
Ambient temperature	-10 $^{\circ}$ C ~ 60 $^{\circ}$ C			
Lubricator oil (Recommended)	ISO-VG32			
Filter bowl capacity	40cc			
Lubricator bowl capacity	50cc			
Standard drain	Semi-auto drain (Drains below 0.5kgf/cm ²)			
Net weight	765g		560g	
Accessories	Pressure gauge, Mounting bracket, Plug, Screw x 2			

Dimensions

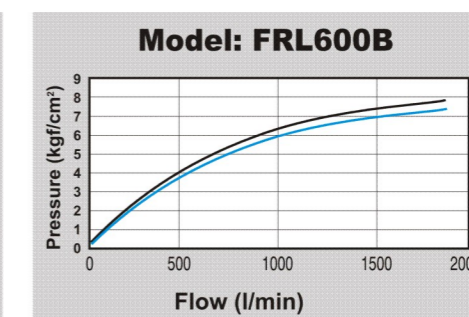
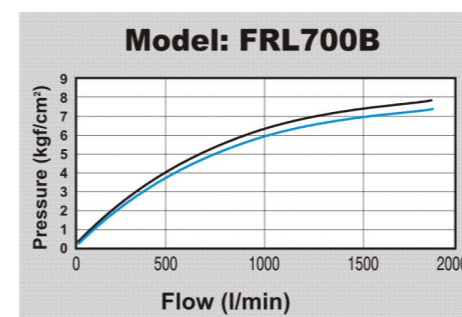
FRL700B-01, 02



FRL600B-01, 02

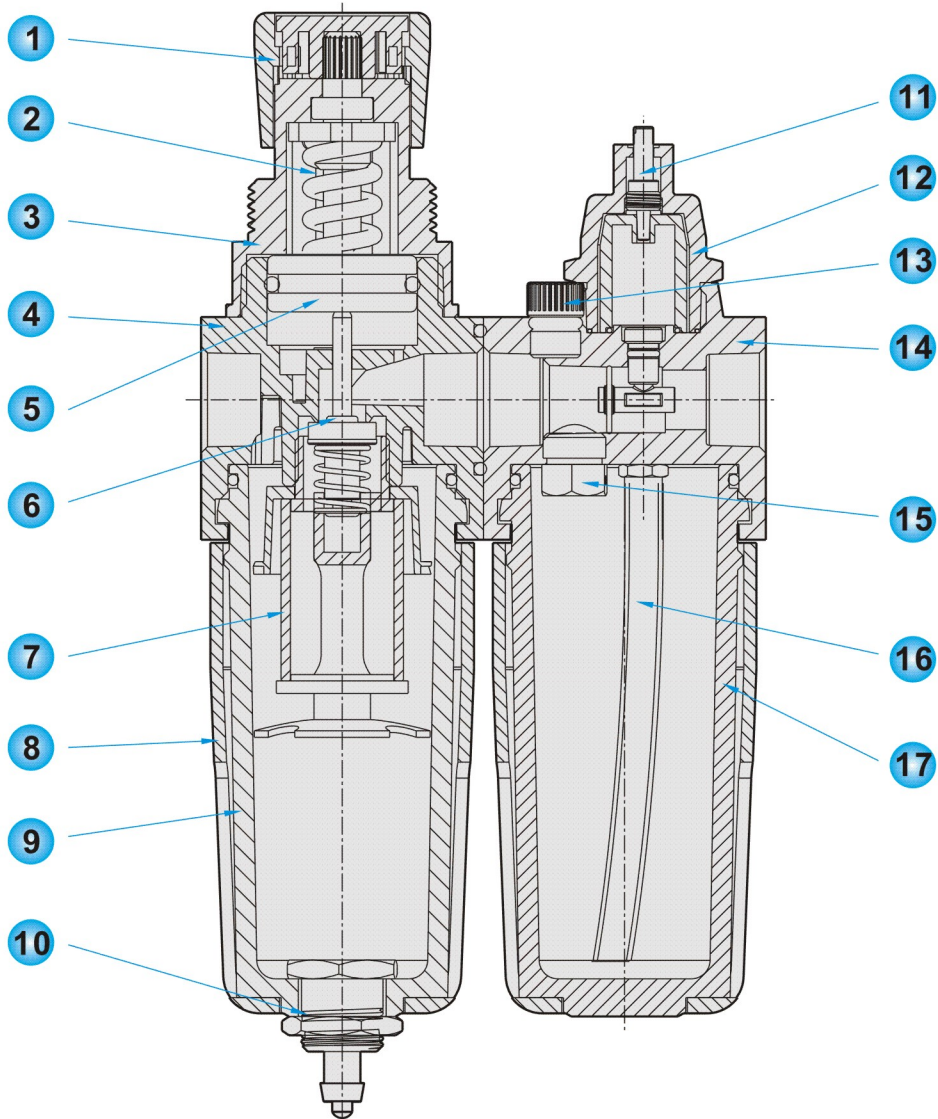


Flow chart



Note:
X axis: Flow (l/min)
Y axis: Pressure (kgf/cm²)
Blue line (P0) = Outlet pressure
Black line (P1) = Inlet pressure
P1-P0 = Pressure range

Construction



No.	Description	Material
1	Pressure regulating knob	NY
2	Spring	Spring steel+Ni
3	Regulator base	NY+GF
4	Regulator body	AL(ADC12)
5	Piston	AL(ADC12)
6	Pressure regulating needle	Cu+NBR
7	Filter element holder	Cu
8	Bowl guard	NY+GY
9	Filter bowl	PC

No.	Description	Material
10	Semi-auto drain	Cu+Ni
11	Oil adjusting screw	Cu+Ni
12	Oil viewer	GV4H
13	Oil filling plug	Cu+Ni
14	Lubricator body	AL(ADC12)
15	Check valve	Cu
16	Oil pipe	PU
17	Lubricator bowl	PC