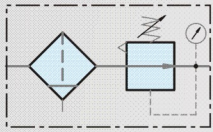


## Symbol



Filter Regulator

## Features

- \* Remove water and particle effectively.
- \* Compact size with effective air service.
- \* 40 $\mu$ m and 5 $\mu$ m filter element are easily interchangeable and replaceable.
- \* Accurate and easy pressure setting.



## How to order

**FR500B**
**02**
**N**
**C**
**H**
**K**

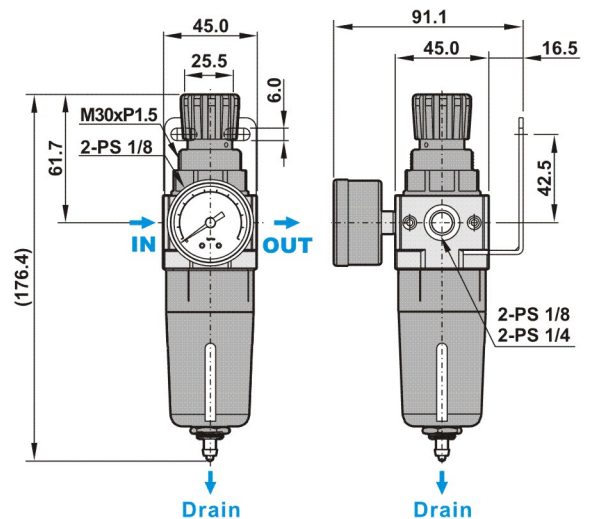
Miniature Filter Regulator		Port size		Thread		Filtration		Drain		Bowl guard	
FR	Filter Regulator	01	1/8" Option	Blank	PS	Blank	5 $\mu$ m	Blank	Semi-auto drain	Blank	W/O guard
		02	1/4" Standard	N	NPT	C	40 $\mu$ m	H	Manual drain	K	W/I guard

## Specifications

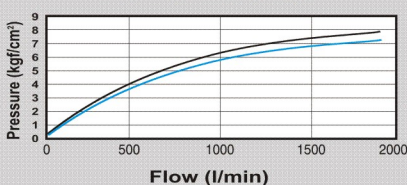
Model	FR500B-01	FR500B-02
Port size	1/8" (Option)	1/4" (Standard)
Fluid	Compressed air	
Regulator construction	Piston	
Body material	Aluminum die-cast	
Bowl material	Polycarbonate (Standard)	
Filtration	5 $\mu$ m (Standard) - 40 $\mu$ m (Option)	
Operating pressure range	0.5 ~ 10 kgf/cm <sup>2</sup>	
Max. inlet pressure (Standard bowl)	12 kgf/cm <sup>2</sup>	
Max. flow rate l/min (6kgf/cm <sup>2</sup> )	1800	1880
Ambient temperature	-10 $^{\circ}$ C ~ 60 $^{\circ}$ C	
Filter bowl capacity	40cc	
Standard drain	Semi-auto drain (Drains below 0.5kgf/cm <sup>2</sup> )	
Net weight	365g	
Accessories	Pressure gauge, Mounting bracket, Plug, Screw x 2	

## Dimensions

### FR500B-01, 02



## Flow chart

**Model: FR500B**


### Note:

X axis: Flow (l/min)  
Y axis: Pressure (kgf/cm<sup>2</sup>)

Blue line (P0) = Outlet pressure  
Black line (P1) = Inlet pressure  
P1-P0 = Pressure range