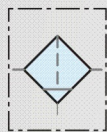


Symbol



Filter

Features

- * Remove water and particle effectively.
- * Compact size with effective air service.
- * 40 μ m and 5 μ m filter element are easily interchangeable and replaceable.



How to order

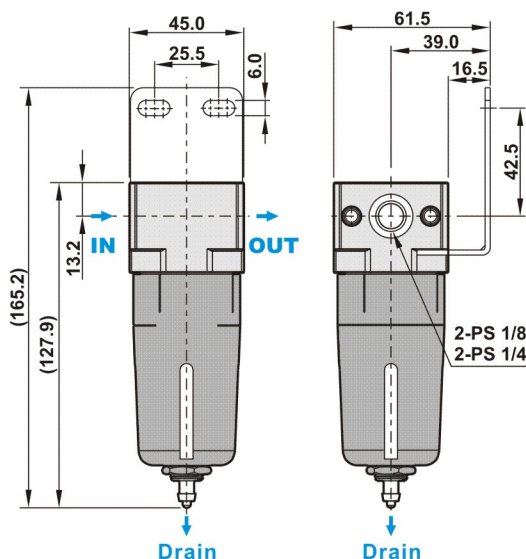
F200B	—	02	N	C	H	B	K
Miniature Filter		Port size	Thread	Filtration	Drain	Mounting bracket	Bowl guard
		01 1/8" Option 02 1/4" Standard	Blank PS N NPT	Blank 5 μ m C 40 μ m	Blank Semi-auto drain H Manual drain	Blank W/O bracket B W/I bracket	Blank W/O guard K W/I guard

Specifications

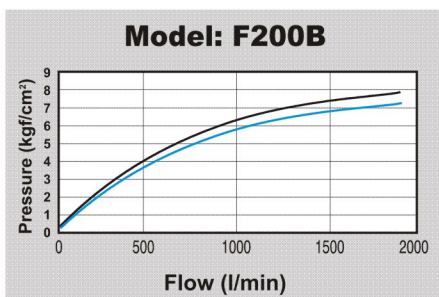
Model	F200B-01	F200B-02
Port size	1/8" [Option]	1/4" [Standard]
Fluid	Compressed air	
Body material	Aluminum die-cast	
Bowl material	Polycarbonate (Standard)	
Filtration	5 μ m (Standard) - 40 μ m (Option)	
Operating pressure range	0.5 ~ 10 kgf/cm ²	
Max. inlet pressure (Standard bowl)	12 kgf/cm ²	
Max. flow rate l/min (6kgf/cm ²)	1900	
Ambient temperature	-10 $^{\circ}$ C ~ 60 $^{\circ}$ C	
Filter bowl capacity	40cc	
Standard drain	Semi-auto drain (Drains below 0.5kgf/cm ²)	
Net weight	245g	
Accessories	Mounting bracket, Screw x 2	

Dimensions

F200B-01, 02



Flow chart



Note:

X axis: Flow (l/min)
Y axis: Pressure (kgf/cm²)

Blue line (P0) = Outlet pressure
Black line (P1) = Inlet pressure
P1-P0 = Pressure range