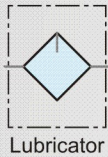


## Symbol



## Features

\* Oil spray in mist ensures good lubrication for machines.



## How to order

**L200B**

Miniature lubricator

**02**

Port size

01	1/8" Option
02	1/4" Standard

**N**

Thread

Blank	PS
N	NPT

**B**

Mounting bracket

Blank	W/O bracket
B	W/I bracket

**K**

Bowl guard

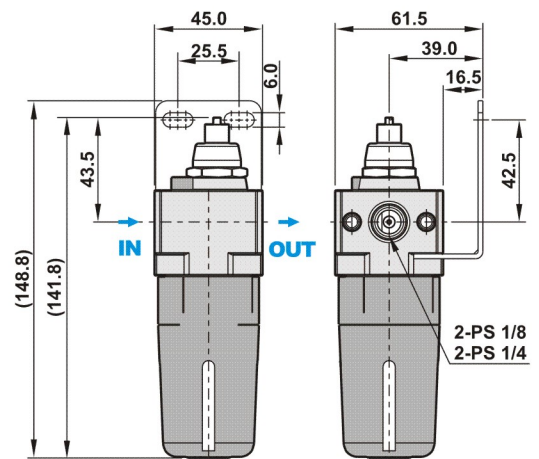
Blank	W/O guard
K	W/I guard

## Specifications

Model	L200B-01	L200B-02
Port size	1/8" (Option)	1/4" (Standard)
Fluid	Compressed air	
Body material	Aluminum die-cast	
Bowl material	Polycarbonate (Standard)	
Operating pressure range	0.5 ~ 10 kgf/cm <sup>2</sup>	
Max. inlet pressure	12 kgf/cm <sup>2</sup>	
Max. flow rate l/min (6kgf/cm <sup>2</sup> )	2490	
Ambient temperature	-10°C ~ 60°C	
Lubricator oil (Recommended)	ISO-VG32	
Lubricator bowl capacity	50cc	
Net weight	245g	
Accessories	Mounting bracket, Screw x 2	

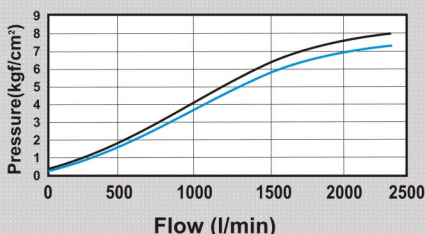
## Dimensions

### L200B-01, 02



## Flow chart

### Model: L200B



### Note:

X axis: Flow (l/min)  
Y axis: Pressure (kgf/cm<sup>2</sup>)

Blue line (P0) = Outlet pressure  
Black line (P1) = Inlet pressure  
P1-P0 = Pressure range