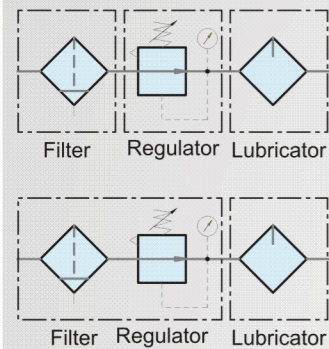


Symbol



Features

- * Remove water and particle effectively.
- * Compact size with effective air service.
- * 40 μ m and 5 μ m filter element are easily interchangeable and replaceable.
- * Accurate and easy pressure setting.
- * Oil spray in mist ensures good lubrication for machines.
- * Strict quality control offers product stable quality and long life.

Miniature FRL A type patent
Patent number in Taiwan:1888494
Patent number in the US.: US6.733.044
Patent number in China: 538716

How to order

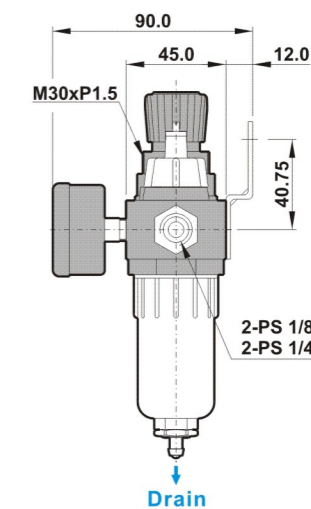
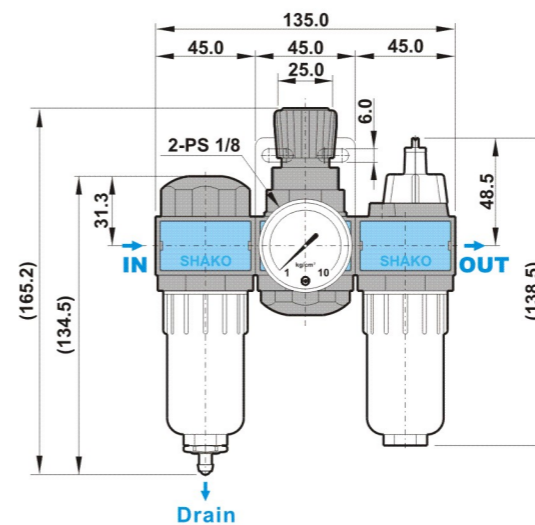
FRL700A		—	02	N	C	H	K
FRL700A	Miniature Filter+Regulator+Lubricator		Port size	Thread	Filtration	Drain	Bowl guard
FRL600A	Miniature Filter Regulator+Lubricator		01 1/8" Option 02 1/4" Standard	Blank PS N NPT	Blank 5 μ m C 40 μ m	Blank Semi-auto drain H Manual drain	Blank W/O guard K W/I guard

Specifications

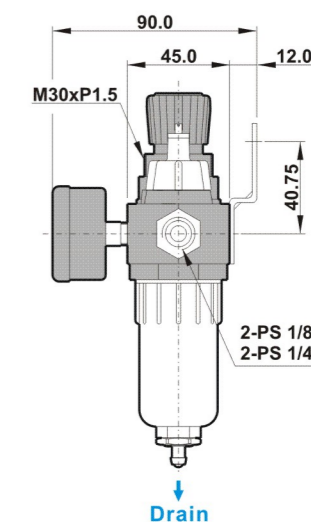
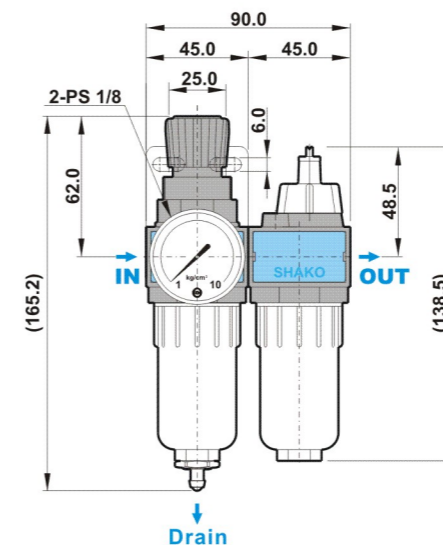
Model	FRL700A-01	FRL700A-02	FRL600A-01	FRL600A-02
Port size	1/8" [Option]	1/4" [Standard]	1/8" [Option]	1/4" [Standard]
Fluid	Compressed air			
Regulator construction	Diaphragm			
Body material	Polycarbonate			
Bowl material	Polycarbonate (Standard)			
Filtration	5 μ m (Standard) · 40 μ m (Option)			
Operating pressure range	0.5 ~ 10 kgf/cm ²			
Max. inlet pressure (Standard bowl)	12 kgf/cm ²			
Max. flow rate l/min (6kgf/cm ²)	1850		1650	1850
Ambient temperature	-10 $^{\circ}$ C ~ 60 $^{\circ}$ C			
Lubricator oil (Recommended)	ISO-VG32			
Filter bowl capacity	35cc			
Lubricator bowl capacity	50cc			
Standard drain	Semi-auto drain (Drains below 0.5kgf/cm ²)			
Net weight	810g		560g	
Accessories	Pressure gauge, Mounting bracket, Plug, Screw x 2			

Dimensions

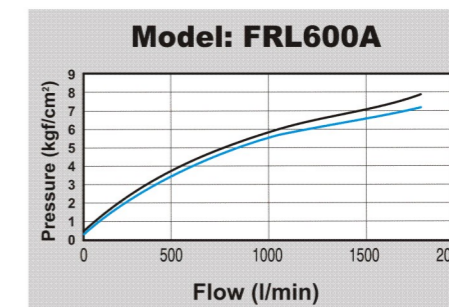
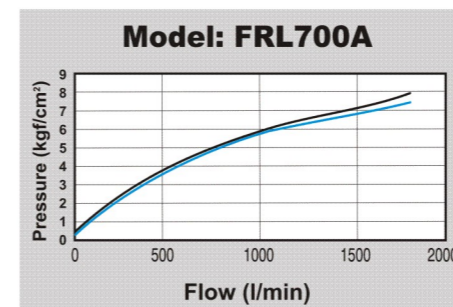
FRL700A-01, 02



FRL600A-01, 02



Flow chart



Note:
X axis: Flow (l/min)
Y axis: Pressure (kgf/cm²)
Blue line (P0) = Outlet pressure
Black line (P1) = Inlet pressure
P1-P0 = Pressure range