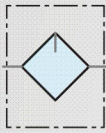


Symbol



Lubricator

Features

- * Compact size with effective air service.
- * Oil spray in mist ensures good lubrication for machines.



How to order

L200A

Miniature lubricator

02

Port size

01	1/8" Option
02	1/4" Standard

N

Thread

Blank	PS
N	NPT

B

Mounting bracket

Blank	W/O bracket
B	W/I bracket

K

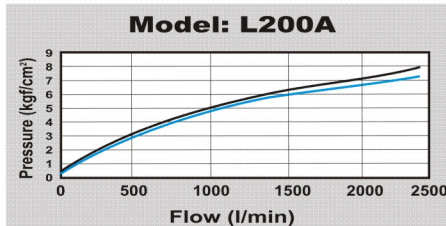
Bowl guard

Blank	W/O guard
K	W/I guard

Specifications

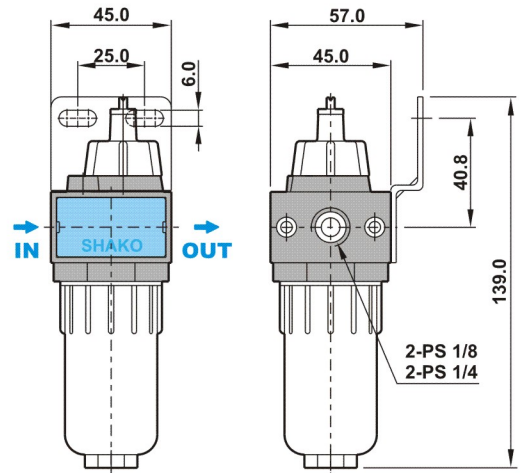
Model	L200A-01	L200A-02
Port size	1/8" [Option]	1/4" [Standard]
Fluid	Compressed air	
Body material	Polycarbonate	
Bowl material	Polycarbonate (Standard)	
Operating pressure range	0.5 ~ 10 kgf/cm ²	
Max. inlet pressure	12 kgf/cm ²	
Max. flow rate l/min (6kgf/cm ²)	2449	
Ambient temperature	-10°C ~ 60°C	
Lubricator oil (Recommended)	ISO-VG32	
Lubricator bowl capacity	50cc	
Net weight	165g	
Accessories	Mounting bracket, Screw x 2	

Flow chart



Dimensions

L200A-01, 02



Note:

- X axis: Flow (l/min)
- Y axis: Pressure (kgf/cm²)
- Blue line (P0) = Outlet pressure
- Black line (P1) = Inlet pressure
- P1-P0 = Pressure range