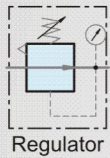


Symbol



Features

- * Diaphragm design provides more accurate and easier pressure setting.
- * Panel mounting is available.

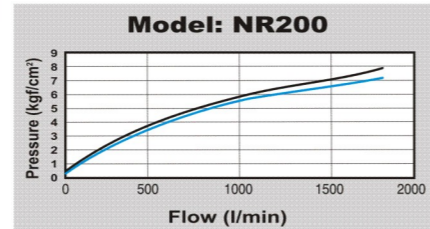
How to order

NR200		02		N		B		G	
NR200	Operating pressure 0.5~8kgf/cm ²	Port size	Thread	Mounting bracket		Pressure gauge			
NR200L4	Operating pressure 0~4kgf/cm ²	01 1/8"	Blank PS	Blank	W/O bracket	Blank	W/O gauge		
NR200L2	Operating pressure 0~2 kgf/cm ²	02 1/4"	N NPT	B	W/I bracket	G	W/I gauge		

Specifications

Model	NR200	NR200L4	NR200L2
Port size	1/8", 1/4"		
Fluid	Compressed air		
Regulator construction	Diaphragm		
Body material	Aluminum die-cast		
Operating pressure range	0.5~8 kgf/cm ²	0~4 kgf/cm ²	0~2 kgf/cm ²
Max. inlet pressure	12 kgf/cm ²		
Max. flow rate l/min (6kgf/cm ²)	1500		
Ambient temperature	-10°C ~ 60°C		
Net weight	205g		
Accessories	Plug		

Flow chart

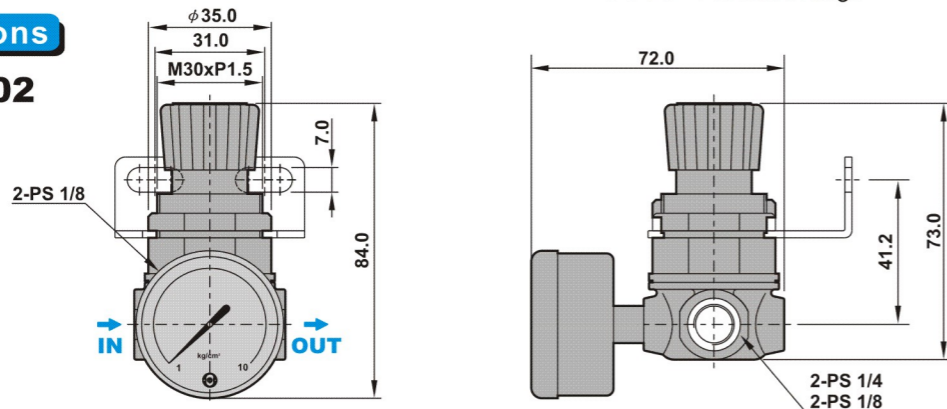


Note:

X axis: Flow (l/min)
Y axis: Pressure (kgf/cm²)
Blue line (P0) = Outlet pressure
Black line (P1) = Inlet pressure
P1-P0 = Pressure range

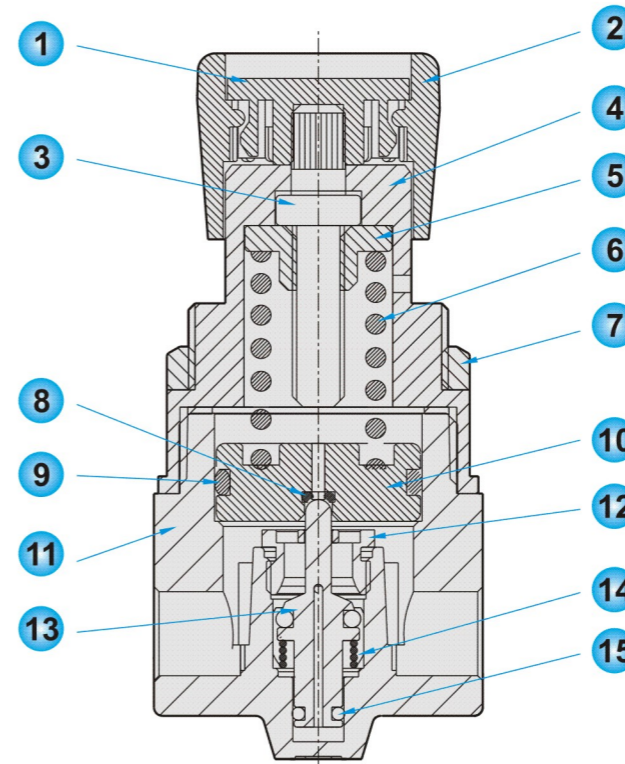
Dimensions

NR200-01, 02



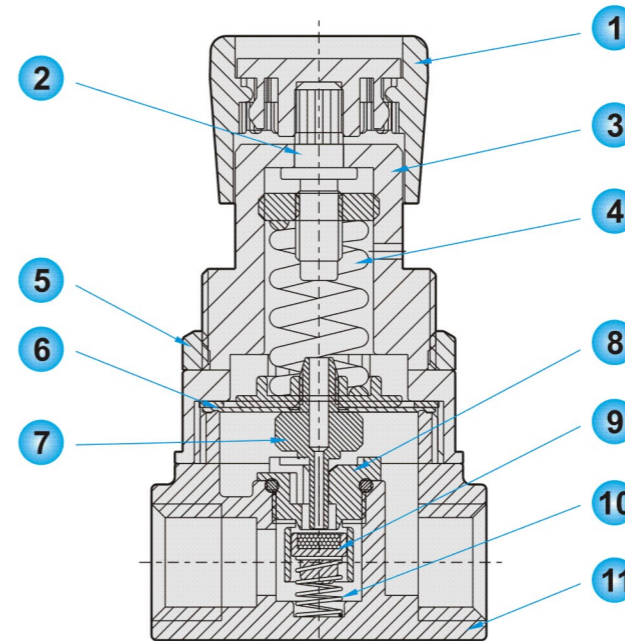
Construction

R200-01, 02



No.	Description	Material
1	Regulator dome	NY
2	Regulator knob	NY
3	Pressure regulating screw	Fe+Ni
4	Regulator base	NY+GF
5	Pressure regulating nut	Cu+Ni
6	Spring	Spring steel
7	Lock nut	NY+GF
8	O-ring	NBR
9	O-ring	NBR
10	Piston	AL
11	Body	ADC12
12	Positioning nut	Cu
13	Regulating needle	Cu
14	Spring	SUS
15	O-ring	NBR

NR200-01, 02



No.	Description	Material
1	Regulator knob	NY
2	Pressure regulating screw	Fe+Ni
3	Regulator base	NY+GF
4	Spring	Spring steel
5	Lock nut	NY+GF
6	Diaphragm	NBR70°
7	Regulating needle	AL
8	Positioning nut	POM
9	Plug	Cu
10	Spring	SUS
11	Body	ADC12