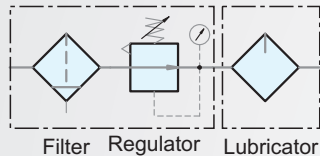


### Symbol



### Features

- \* For high pressure use, corrosion and chemical resistance.
- \* Good performance in chemically working environments and outdoor facility.
- \* Suitable for semi-conductor industry.
- \* The product effectively removes water and particle.
- \* Accurate and sensitive pressure setting.
- \* Lubricator oil can be replenished without stopping air supply.
- \* Oil spray in mist ensures good lubrication for machines.



### How to order

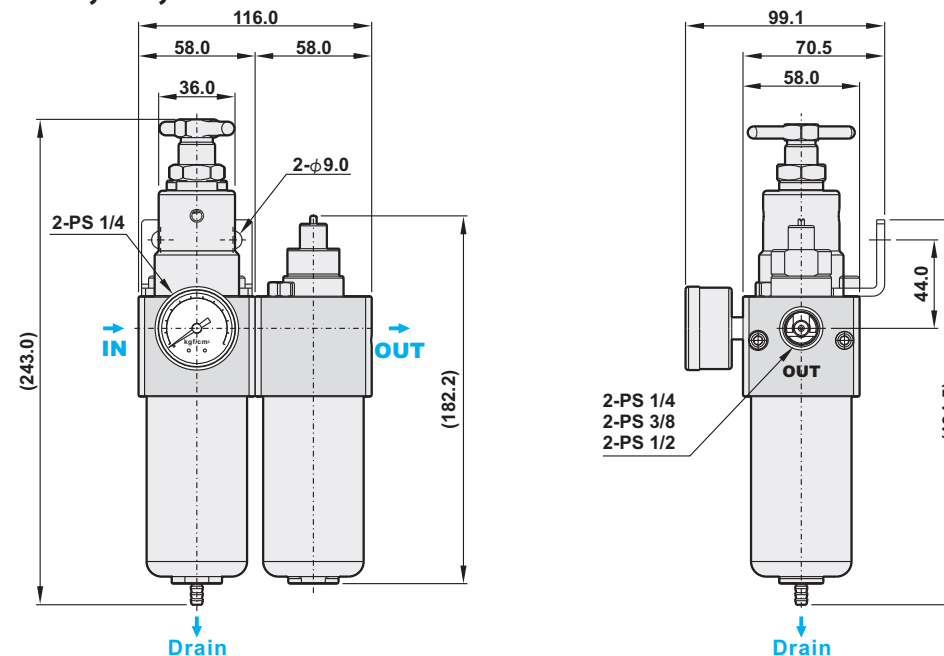
US	FR/L	-	O4	N	C	H
SUS316 Stainless steel	Filter Regulator+Lubricator		Port size	Thread	Filtration	Drain
			02 1/4" (Option)	Blank PS	Blank 5 μm	Blank Semi-auto drain
			03 3/8"	N NPT	C 40 μm	H Manual drain
			04 1/2"			D Auto drain

### Specifications

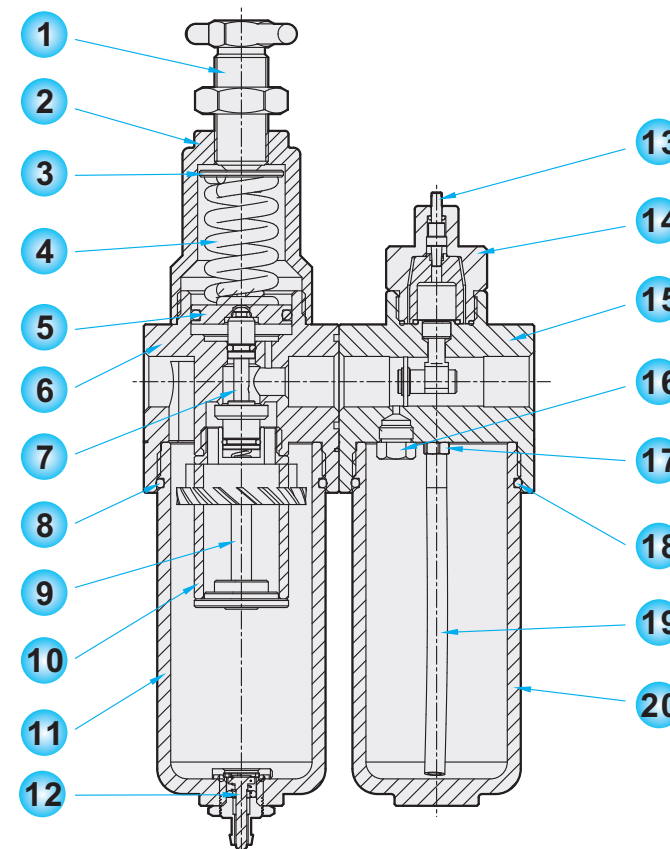
Model	USFR/L-02	USFR/L-03	USFR/L-04
Port size	1/4" (Option)	3/8"	1/2"
Fluid	Compressed air		
Regulator construction	Piston		
Body material	Stainless steel SUS316		
Bowl material	Stainless steel SUS316		
Pressure gauge material	Case: Stainless steel SUS304, Thread: Stainless steel SUS316		
Filtration/Element material	5μm (Standard) Stainless steel SUS316		
Operating pressure range	0.5 ~ 30 kgf/cm <sup>2</sup>		
Max. inlet pressure	60 kgf/cm <sup>2</sup>		
Max. flow rate l/min (6kgf/cm <sup>2</sup> )	2080	2200	2500
Ambient temperature	-10°C ~ 70°C		
Lubricator oil (Recommended)	ISO-VG32		
Filter bowl capacity	110cc		
Lubricator bowl capacity	130cc		
Standard drain	Semi-auto drain (Drains below 0.5kgf/cm <sup>2</sup> )		
Net weight	3800g	3870g	3840g
Accessories	Pressure gauge, Mounting bracket, Plug, Screw x 2		

### Dimensions

#### USFR/L-02, 03, 04



### Construction



No.	Description	Material
1	Pressure regulating screw	SUS316
2	Regulator base	SUS316
3	Disc gasket	SUS303
4	Spring	SUS303
5	Piston	SUS303
6	Regulator body	SUS316
7	Pressure regulating needle	SUS303
8	O-ring	VITON
9	Filter element holder	SUS303
10	Filter element	SUS316
11	Filter bowl	SUS316
12	Drain	Cu+Ni
13	Oil adjusting screw	SUS316
14	Screw cover	SUS316
15	Lubricator body	SUS316
16	Plug	SUS316
17	Oil pipe fitting	SUS316
18	O-ring	VITON
19	Oil pipe	PU
20	Lubricator bowl	SUS316