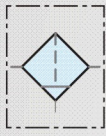


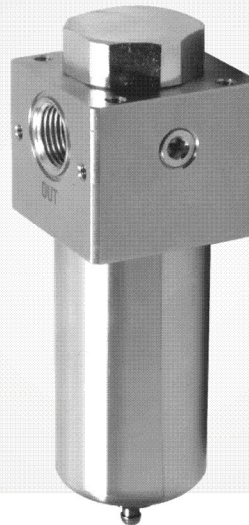
Symbol



Filter

Features

- * For high pressure use, corrosion and chemical resistance.
- * Good performance in chemically working environments and outdoor facility.
- * Suitable for semi-conductor industry.
- * The product effectively removes water and particle.
- * Strict quality control.



How to order

US

SUS316
Stainless steel

F

Filter

04

Port size

02	1/4" (Option)
03	3/8"
04	1/2"

N

Thread

Blank	PS
N	NPT

C

Filtration

Blank	5 μ m
C	40 μ m

H

Drain

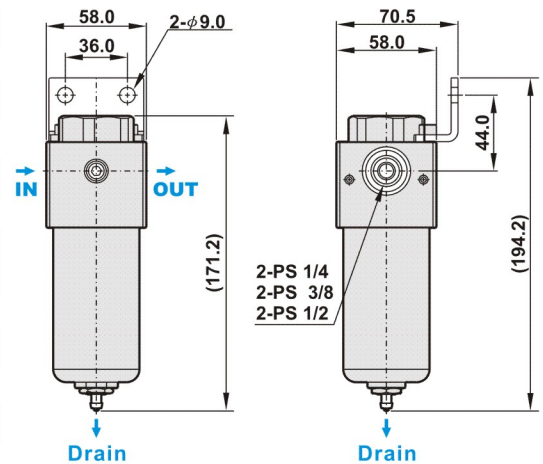
Blank	Semi-auto drain
H	Manual drain
D	Auto drain

Specifications

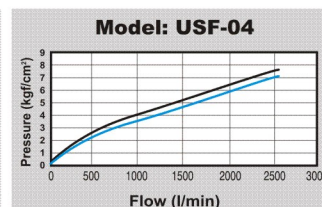
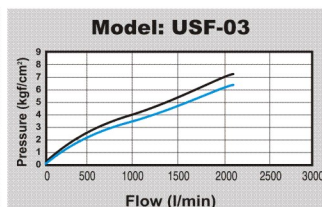
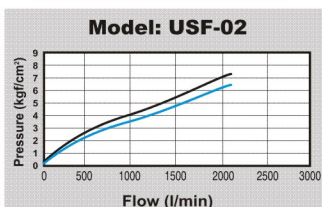
Model	USF-02	USF-03	USF-04
Port size	1/4"(Option)	3/8"	1/2"
Fluid	Compressed air		
Body material	Stainless steel SUS316		
Bowl material	Stainless steel SUS316		
Filter element material	Stainless steel SUS316		
Filtration	5 μ m (Standard) , 40 μ m (Option)		
Operating pressure range	0.5 ~ 30 kgf/cm ²		
Max. inlet pressure	60 kgf/cm ²		
Max. flow rate l/min (6kgf/cm ²)	2440	2450	3030
Ambient temperature	-10 $^{\circ}$ C ~ 70 $^{\circ}$ C		
Filter bowl capacity	110cc		
Standard drain	Semi-auto drain (Drains below 0.5kgf/cm ²)		
Net weight	1650 g		
Accessories	Mounting bracket, Screw x 2		

Dimensions

USF-02, 03, 04



Flow chart



Note:

X axis: Flow (l/min)
Y axis: Pressure (kgf/cm²)
Blue line (P0) = Outlet pressure
Black line (P1) = Inlet pressure
P1-P0 = Pressure range