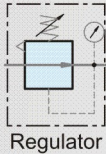


Symbol



Features

- * For high pressure use, corrosion and chemical resistance.
- * Good performance in chemically working environments and outdoor facility.
- * Suitable for semi-conductor industry.
- * Accurate and sensitive pressure setting.
- * Strict quality control.



How to order

US

 SUS316
Stainless steel

R

Regulator

04

Port size

02	1/4" (Option)
03	3/8"
04	1/2"

N

Thread

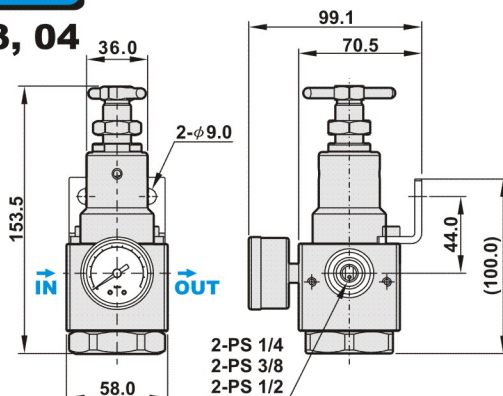
Blank	PS
N	NPT

Specifications

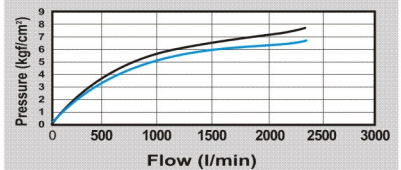
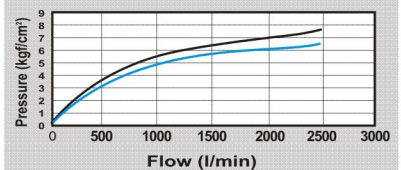
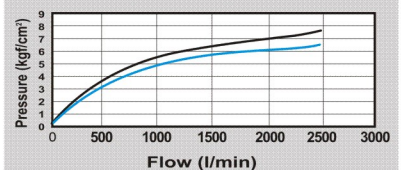
Model	USR-02	USR-03	USR-04
Port size	1/4" [Option]	3/8"	1/2"
Fluid	Compressed air		
Regulator construction	Piston		
Body material	Stainless steel SUS316		
Pressure gauge material	Case: Stainless steel SUS304, Thread: Stainless steel SUS316		
Operating pressure range	0.5 ~ 30 kgf/cm ²		
Max. inlet pressure	60 kgf/cm ²		
Max. flow rate l/min (6kgf/cm ²)	1950	2250	2520
Ambient temperature	-10°C ~ 70°C		
Net weight	1400g		
Accessories	Pressure gauge, Mounting bracket, Plug, Screw x 2		

Dimensions

USR-02, 03, 04



Flow chart

Model: USR-02

Model: USR-03

Model: USR-04

Note:

X axis: Flow (l/min)
 Y axis: Pressure (kgf/cm²)
 Blue line (P0) = Outlet pressure
 Black line (P1) = Inlet pressure
 P1-P0 = Pressure range