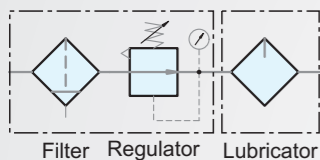


#### Symbol



#### Features

- \* For high pressure use, corrosion and chemical resistance.
- \* Good performance in chemically working environments and outdoor facility.
- \* Suitable for semi-conductor industry.
- \* Large flow rate and effectively removes water and particle.
- \* Accurate and sensitive pressure setting.
- \* Lubricator oil can be replenished without stopping air supply.
- \* Oil spray in mist ensures good lubrication for machines.



#### How to order

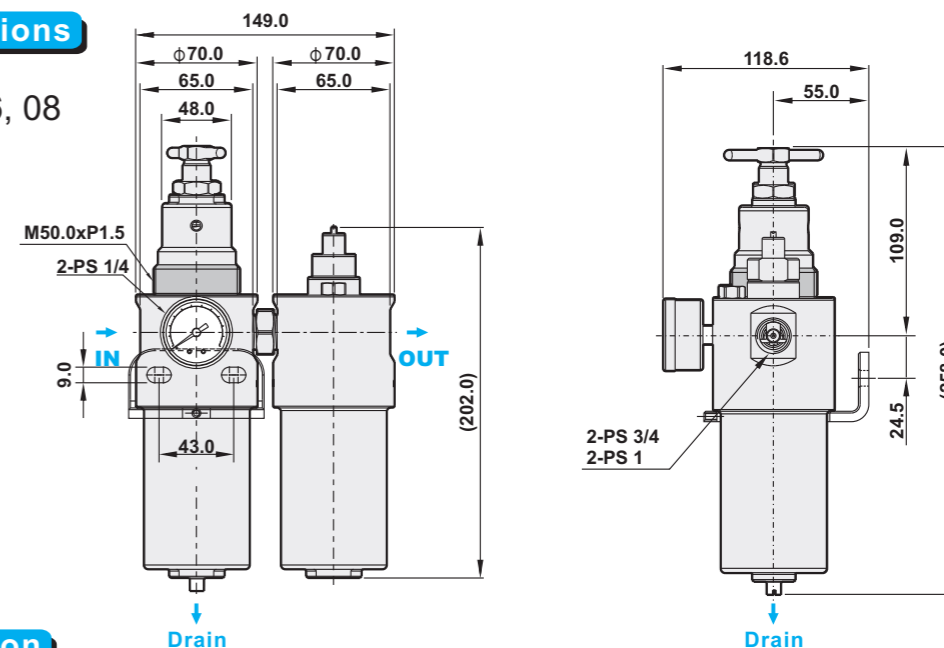
<b>US</b>	<b>FR/L</b>	<b>C</b>	<b>- 06</b>	<b>N</b>	<b>C</b>	<b>H</b>
SUS316 Stainless steel	Filter Regulator+Lubricator	Series	Port size	Thread	Filtration	Drain
		C Series	06 3/4" 08 1"	Blank PS N NPT	Blank 5µm C 40µm	H Manual drain

#### Specifications

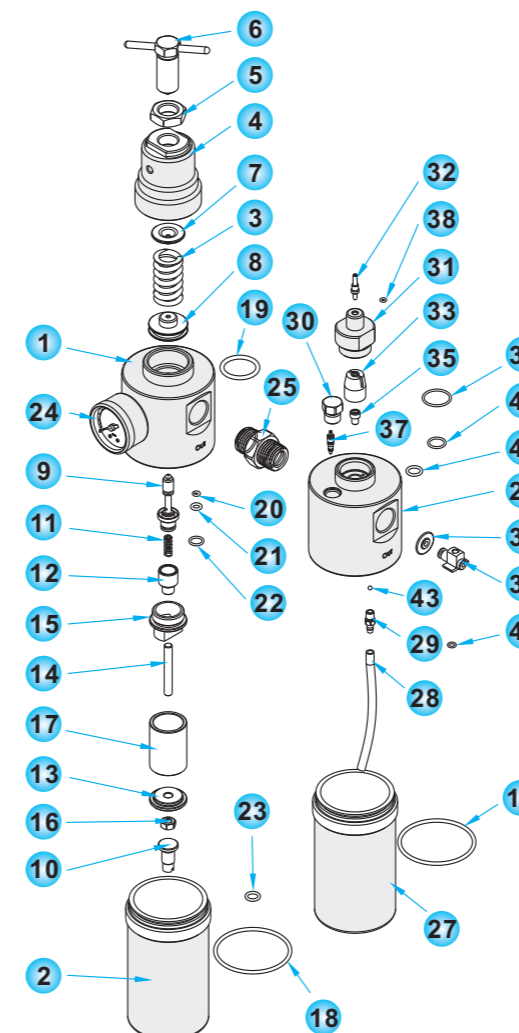
Model	USFR/LC-06	USFR/LC-08
Port size	3/4"	1"
Fluid	Compressed air	
Regulator construction	Piston	
Body material	Stainless steel SUS316	
Bowl material	Stainless steel SUS316	
Pressure gauge material	Case: Stainless steel SUS304, Thread: Stainless steel SUS316	
Filtration/Element material	5µm (Standard) Stainless steel SUS316	
Operating pressure range	0.5 ~ 30 kgf/cm <sup>2</sup>	
Max. inlet pressure	60 kgf/cm <sup>2</sup>	
Max. flow rate l/min (6kgf/cm <sup>2</sup> )	7250	7600
Ambient temperature	-10°C ~ 70°C	
Lubricator oil (Recommended)	ISO-VG32	
Nipple size and material	1/2" SUS316	
Filter bowl capacity	200cc	
Lubricator bowl capacity	220cc	
Standard drain	Manual drain	
Net weight	5500g	
Accessories	Pressure gauge, Plug, Mounting bracket	

#### Dimensions

##### USFR/LC-06, 08



#### Explosion



No.	Description	Material	No.	Description	Material
1	Filter Regulator body	SUS316	23	O-ring	VITON
2	Filter bowl	SUS316	24	Pressure gauge	Stainless Steel
3	Pressure regulating spring	SUS304	25	Nipple	Stainless Steel
4	Stainless steel regulator base	SUS316	26	Lubricator body	SUS316
5	Nut	SUS316	27	Lubricator bowl	SUS316
6	Pressure regulating screw	SUS316	28	Oil pipe	PU
7	Disc gasket	SUS316	29	Oil pipe fitting	SUS316
8	Piston	SUS316	30	Oil filling plug	SUS316
9	Pressure regulating needle	SUS316	31	Oil adjusting knob	SUS316
10	Manual drain	SUS316	32	Oil adjusting screw	SUS316
11	Spring	SUS304	33	Oil dropping orifice	SUS316
12	Needle holder	SUS316	34	Oil spraying orifice	SUS316
13	Plate	SUS316	35	Screw	SUS316
14	Bolt	SUS316	36	Damper	VITON
15	Spring holder	SUS316	37	Check valve	Stainless Steel
16	Nut	SUS316	38	O-ring	VITON
17	Filter element	SUS316	39	O-ring	VITON
18	O-ring	VITON	40	O-ring	VITON
19	O-ring	VITON	41	O-ring	VITON
20	O-ring	VITON	42	O-ring	VITON
21	O-ring	VITON	43	Steel ball 3mm	SUS316
22	O-ring	VITON			