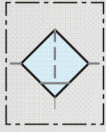


## Symbol



Filter

## Features

- \* UV series removes particle effectively.
- \* 40 $\mu$ m and 5 $\mu$ m filter element are easily interchangeable and replaceable.



## How to order

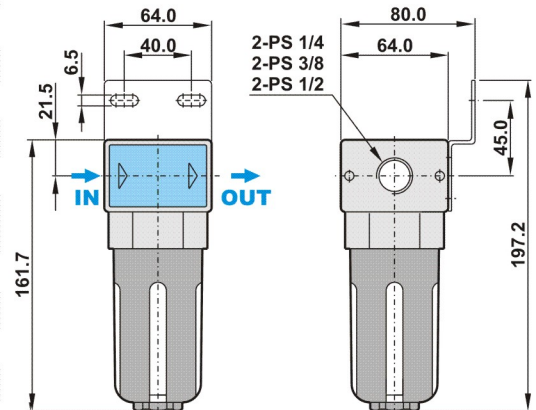
<b>UV</b>	<b>02</b>	<b>N</b>	<b>C</b>	<b>B</b>	<b>A</b>
Vacuum filter	Port size	Thread	Filtration	Mounting bracket	Bowl
	02 1/4"	Blank PS	Blank 5 $\mu$ m	Blank W/O bracket	Blank Standard bowl
	03 3/8"	N NPT	C 40 $\mu$ m	B W/I bracket	A Anti-acid & alkali bowl
	04 1/2"				AL Aluminum bowl (1/4"~1/2")

## Specifications

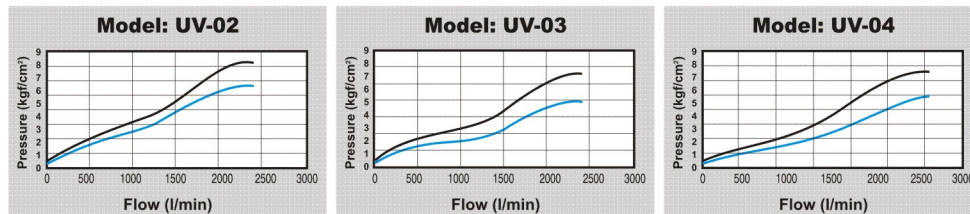
Model	UV-02	UV-03	UV-04
Port size	1/4"	3/8"	1/2"
Fluid	Compressed air		
Body material	Aluminum die-cast		
Bowl material	Polycarbonate (Standard)		
Filtration	5 $\mu$ m (Standard) - 40 $\mu$ m (Option)		
Operating pressure range	0.5 ~ 10 kgf/cm <sup>2</sup>		
Max. operating pressure (Standard bowl)	15 kgf/cm <sup>2</sup>		
Max. flow rate l/min (6kgf/cm <sup>2</sup> )	2440	2450	3030
Ambient temperature	-10 $^{\circ}$ C ~ 60 $^{\circ}$ C		
Filter bowl capacity	105cc		
Net weight	530g		

## Dimensions

### UV-02, 03, 04



## Flow chart



### Note:

X axis: Flow (l/min)  
 Y axis: Pressure (kgf/cm<sup>2</sup>)  
 Blue line (P0) = Outlet pressure  
 Black line (P1) = Inlet pressure  
 P1-P0 = Pressure range