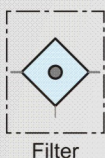


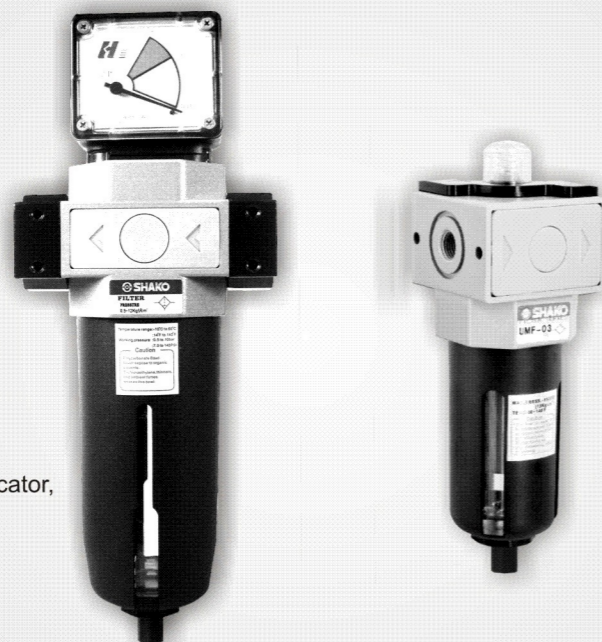
### Symbol



### Features

- \* UMF series effectively removes oil, water, carbon and particle.
- \* With 0.01 $\mu$ m glass fiber filter element.
- \* High quality control ensures stable running and long life.
- \* Convenient to see air quality from pressure indicator, prevent the filter element from clogging.

Note: Please install air filter UF series upstream to extend life of filter element.



### How to order

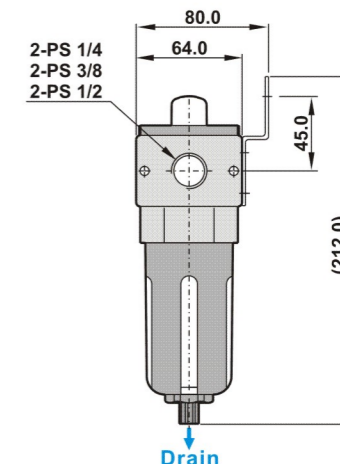
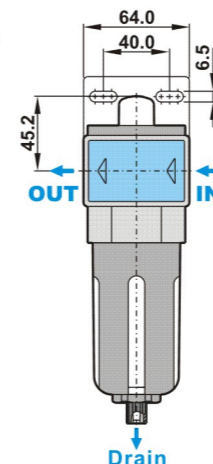
<b>UMF</b>	<b>- 02</b>	<b>N</b>	<b>C</b>	<b>H</b>	<b>B</b>	<b>A</b>
Coalescing filter	Port size	Thread	Filtration	Drain	Mounting bracket	Bowl
02	1/4"	Blank PS	Blank 0.01 $\mu$ m	Blank	Blank W/O bracket	Blank Standard bowl
03	3/8"	N NPT	Activated	Blank	B W/I bracket	A Anti-acid & alkali bowl
04	1/2"		C charcoal	H		AL Aluminum bowl (1/4"~1/2")
06	3/4"		filter element			
08	1"					

### Specifications

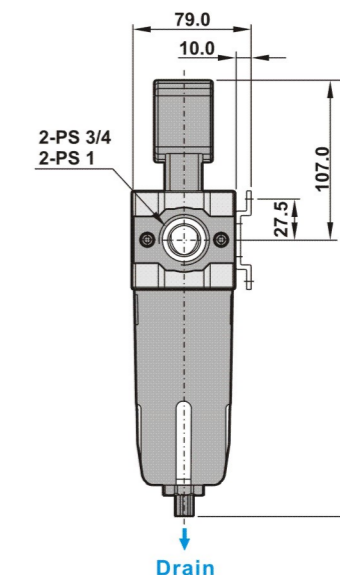
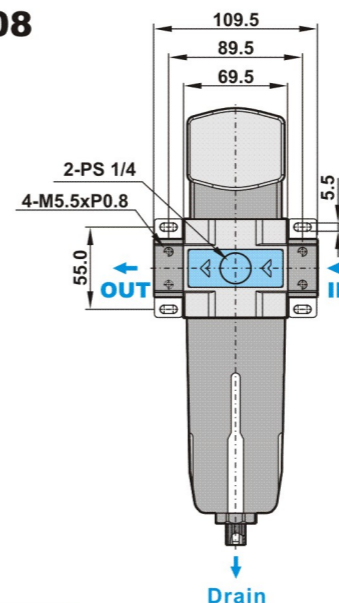
Model	UMF-02	UMF-03	UMF-04	UMF-06	UMF-08
Port size	1/4"	3/8"	1/2"	3/4"	1"
Fluid	Compressed air				
Body material	Aluminum die-cast				
Bowl material	Polycarbonate (Standard), Anti-acid & alkali bowl (Option), Aluminum bowl (Option)				
Filtration	0.01 $\mu$ m(Standard)				
Operating pressure range	0.5 ~ 10 kgf/cm <sup>2</sup>				
Max. inlet pressure	15 kgf/cm <sup>2</sup>				
Max. flow rate l/min(6kgf/cm <sup>2</sup> )	2050	2100	2150	3800	3850
Ambient temperature	-10 $^{\circ}$ C ~ 60 $^{\circ}$ C				
Filter bowl capacity		65cc			115cc
Standard drain		Semi-auto drain (Drains below 0.5kgf/cm <sup>2</sup> )			
Net weight		600g			1200g

### Dimensions

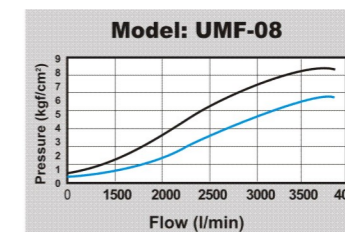
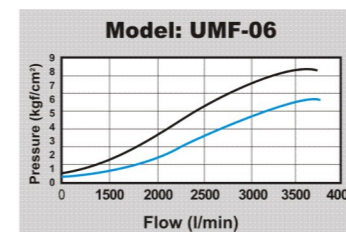
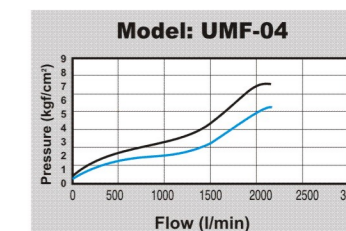
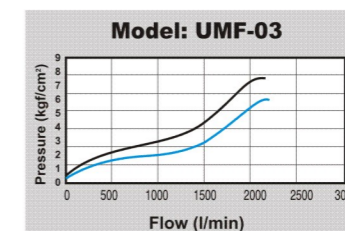
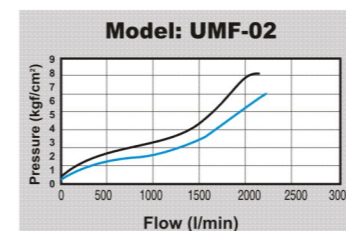
#### UMF-02, 03, 04



#### UMF-06, 08



### Flow chart



**Note:**  
 X axis: Flow (l/min)  
 Y axis: Pressure (kgf/cm<sup>2</sup>)  
 Blue line (P0) = Outlet pressure  
 Black line (P1) = Inlet pressure  
 P1-P0=Pressure range