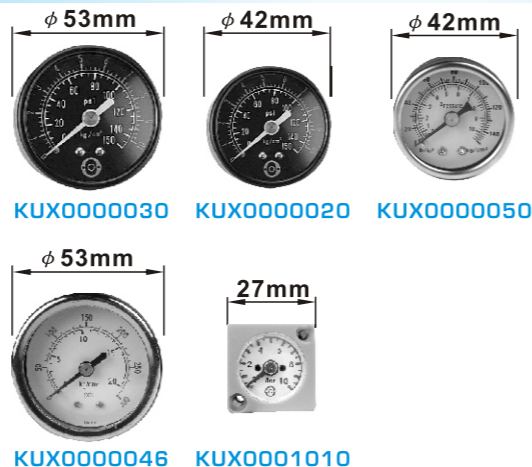


Pressure gauge

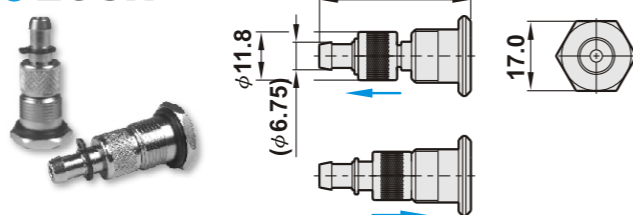
Part no.	Application	Dimension
KUX0000020	Miniature FRL series	1/8", ϕ 42mm
KUX0000030	Standard FRL series 1/4", 3/8", 1/2", 3/4", 1"	1/4", ϕ 53mm
KUX0000046	USFR Stainless steel FRL series	2" x 20kg x 1/4", SUS316
KUX0000050	SSFR Miniature stainless steel FRL series	2" x 10kg x 1/4", SUS316
KUX0001010	FRL600C, FRL700C series NUFRL series	1" x 0~10bar 27mm



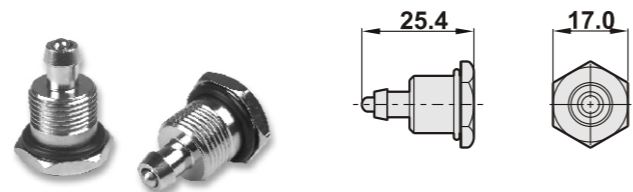
Semi-auto/Manual drain

Part no.	Type	Port size
ZGUX	Manual	6mm (PU tube)
ZGUX-1	Semi-auto	6mm (PU tube)
ZGUX-2	Semi-auto	6mm (PU tube)

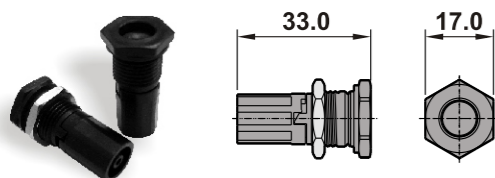
ZGUX



ZGUX-1



ZGUX-2

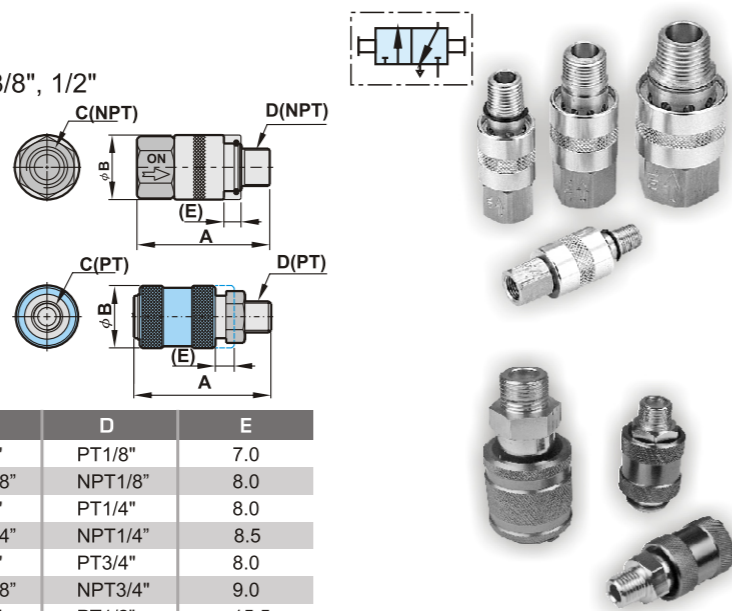


Sleeve valve

How to order

Apply to standard FRL series 1/8", 1/4", 3/8", 1/2"

HV	-	02	N
Sleeve valve	Port size	Thread	
	01 1/8"	Blank	PT
	02 1/4"	N	NPT
	03 3/8"		
	04 1/2"		



Part no.	Dimension	A	B	C	D	E
HV-01		38.0	20.0	PT1/8"	PT1/8"	7.0
HV-01N		54.5	20.0	NPT1/8"	NPT1/8"	8.0
HV-02		59.0	27.0	PT1/4"	PT1/4"	8.0
HV-02N		62.0	22.0	NPT1/4"	NPT1/4"	8.5
HV-03		58.0	32.0	PT3/8"	PT3/4"	8.0
HV-03N		66.5	26.0	NPT3/8"	NPT3/4"	9.0
HV-04		80.0	40.0	PT1/2"	PT1/2"	15.5
HV-04N		71.0	34.5	NPT1/2"	NPT1/2"	9.1

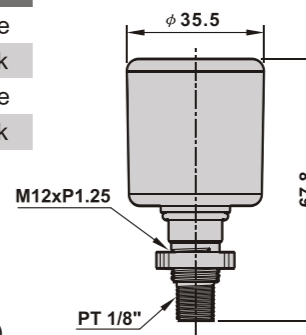
Automatic drain

Part no.	Thread	Color
DA-014	14mm (Male thread)	White
DA-014W	14mm (Male thread)	Black
DA-014N	14mm (Female thread)	White
DA-014NW	14mm (Female thread)	Black

DA-014, DA-014W

Feature

1. Completely drain water together with polluted particles and oils at once without remnants on filter bowl.
2. Automatically remove remaining water on filter bowl after air pressure is shut off.
3. Working pressure: 2~8kgf/cm²
Discharge capacity: 10~15cc each time (12 times/min.)
* Patent number in Taiwan: 096216673



Filter bowl & Lubricator bowl

Part no.	Application	Content
ZGL200B	Lubricator bowl for FRL700A, FRL600A, L200A	Bowl with o-ring
ZGUL-06B	Lubricator bowl for UFR/L-06, 08	Bowl with o-ring
ZGUL-02B	Lubricator bowl for UFR/L-02, 03, 04	Bowl with o-ring
ZGUL-02BA	Anti-acid & alkali lubricator bowl for UFR/L-02, 03, 04	Bowl with o-ring
ZGUL-02BAL	Aluminum lubricator bowl for UFR/L-02, 03, 04	Bowl with o-ring
ZGF200B	Filter bowl for FRL700A, FRL600A, F200A	Bowl with o-ring
ZGUF-06B	Filter bowl for UFR/L-06, 08	Bowl with o-ring
ZGUF-02B	Filter bowl for UFR/L-02, 03, 04	Bowl with o-ring
ZGUF-02BA	Anti-acid & alkali filter bowl for UFR/L-02, 03, 04	Bowl with o-ring
ZGUF-02BAL	Aluminum filter bowl for UFR/L-02, 03, 04	Bowl with o-ring
ZGF200BB	Filter bowl for FRL700B, FRL600B, F200B	Bowl with o-ring
ZGL200BB	Lubricator bowl for FRL700B, FRL600B, L200B	Bowl with o-ring
ZGUSF-04B	SUS316 Filter bowl for USFR stainless steel series	Bowl with o-ring
ZGUSF-02B	SUS316 Filter bowl for SSFR Miniature stainless steel series	Bowl with o-ring



Filter element

Part no.	Application	Material
KUS0032041	40 μ , FRL600(A,C), F200(A,C), FR500(A,C)	Sintered bronze
KUS0032042	5 μ , FRL600(A,C), F200(A,C), FR500(A,C)	
KUN0010035	40 μ , UFR/L-02, 03, 04	
KUN0010036	5 μ , UFR/L-02, 03, 04	
KUB0008060	40 μ , UFR/L-06, 08	
KUB0008061	5 μ , UFR/L-06, 08	



Part no.	Application	Material
NUS0032041	40 μ , FRL600(A,C), F200(A,C), FR500(A,C)	Sponge
NUS0032042	5 μ , FRL600(A,C), F200(A,C), FR500(A,C)	
NUN0010035	40 μ , UFR/L-02, 03, 04	
NUN0010036	5 μ , UFR/L-02, 03, 04	



Spacer block

Part no.	Application	Content
ZGUFR02SB	UFR/L-02, 03, 04	Block, O-ring, Screw, Washer, Plug
ZGUFR06SB	UFR/L-06, 08	Block, O-ring, Screw, Washer, Plug
ZGNUFR03SB	NUFRL-03, NUFRL/L-03	Block, O-ring, Screw
ZGNUFR03SB-1	NUFRL-03, NUFRL/L-03	Block, O-ring, Screw, Plug



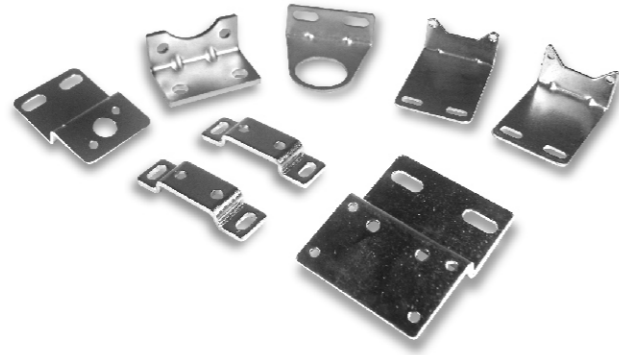
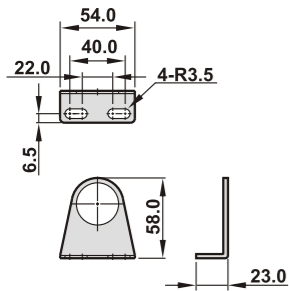
Closed block

Part no.	Application	Content
ZGNUFR03CB	NUFRL-03	Block, O-ring, Screw
ZGNUFR03CB-1	NUFRL-03	Block, O-ring, Screw

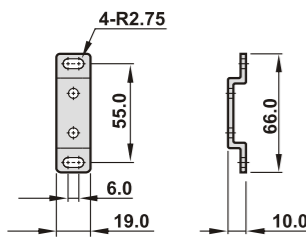


Mounting bracket

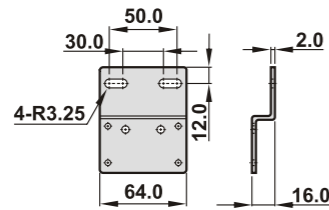
ZGR200MB



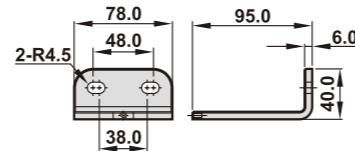
ZGUFR/L-06MB



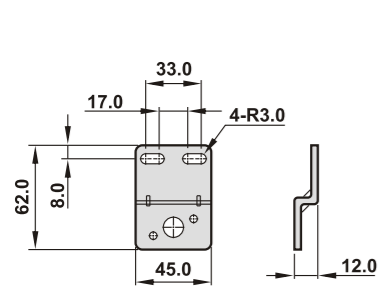
ZGUFR/L-02MB



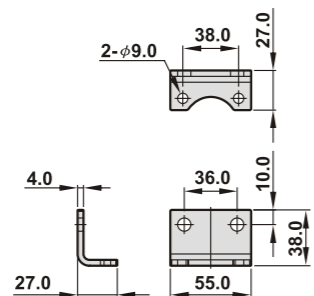
ZGUSFRC-08MB



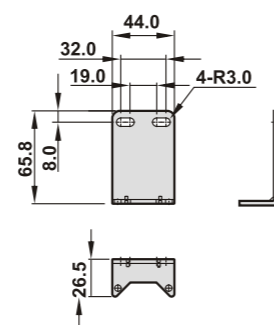
ZGFR500AMB



ZGUSFR/L-04MSB

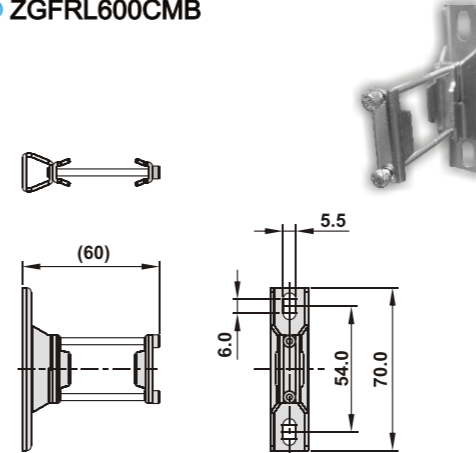


ZGSSFR500MB, ZGFR500MB

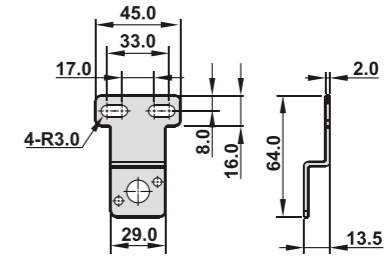


Mounting bracket

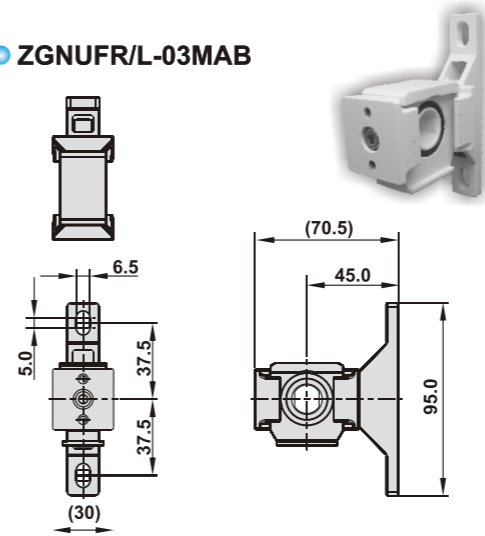
ZGFRL600CMB



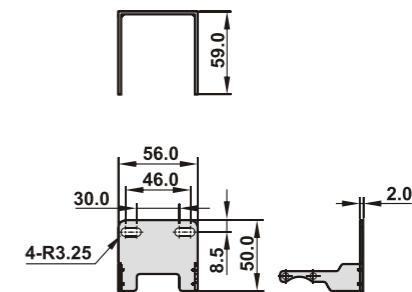
ZGFR500CMB



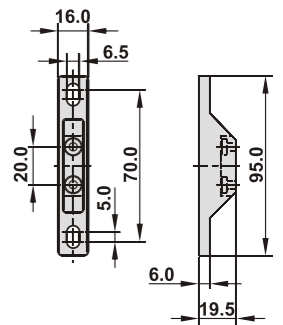
ZGNUFR/L-03MAB



ZGNUFR/L-03MB



ZGNUFR/L-03MAB-1



Part no.	Application	Material
ZGR200MB	R200 / NR200 / FR500 / FR500A / FR500C	Metal plated
ZGUFR/L-02MB	UF-02,03,04 / UL-02,03,04 / UR-02,03,04 / UFR/L-02,03,04	Metal plated
ZGUFR/L-06MB	UF-06,08 / UL-06,08 / UR-06,08 / UFR-06,08 / UFR/L-06,08 / UMF-06,08 / URL-06,08	Metal plated
ZGFR500MB	FR500-02 / FRL600-02 / F200	Metal plated
ZGFR500AMB	FR500A / FRL600A / FRL700A / L200A / F200A	Metal plated
ZGFR500CMB	FR500C / F200C / L200C	Metal plated
ZGFR600CMB	FRL600C / FRL700C	Metal plated
ZGNUFR/L-03MB	NUFR-03 / NUF-03 / NUL-03	Aluminum bowl
ZGNUFR/L-03MAB	NUFR-03 / NUFR/L-03	Aluminum bowl
ZGNUFR/L-03MAB-1	NUFR-03 / NUFR/L-03	Aluminum bowl
ZGSSFR500MB	SSFR500 / SSFRL600 / SSR200 / SSL200 / SSF200	Stainless steel
ZGUSFRC-08MB	USFR/LC-06,08 / USFRC-06,08 / USFLC-06,08	Stainless steel
ZGUSFR/L-04MSB	USF-02,03,04 / USL-02,03,04 / USR-02,03,04 / USFR-02,03,04 / USFR/L-02,03,04	Stainless steel