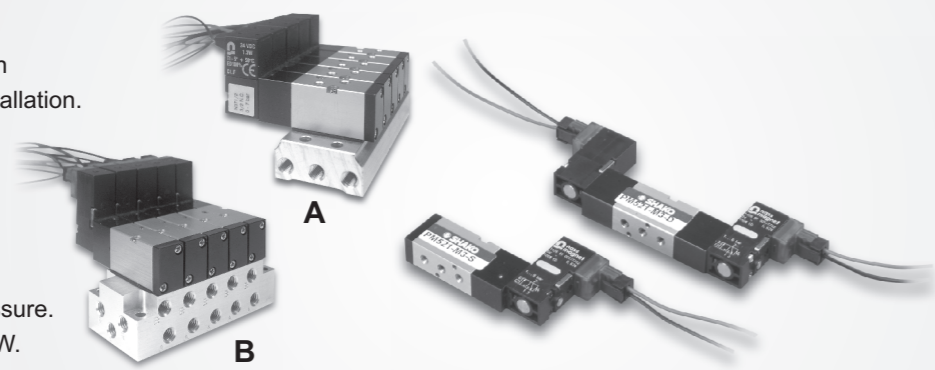


#### Features

- \* Plug with standard JPC design (with LED) for coil, simple installation.
- \* Miniature and Compact size, 10mm width, large flow rate.
- \* Anodized aluminum body and strict quality control provide a long durability.
- \* Quick acting, low starting pressure.
- \* Low power consumption 0.65W.



#### How to order

<b>PM521</b>	<b>A</b>	<b>F</b>	-	<b>M3</b>	-	<b>S</b>	<b>9</b>	<b>LED</b>
10mm valves series	Valve type	Manifold		Port size	Solenoid	Voltage	LED	
5/2 way	A Body ported B Base mounted	Blank Standard (W/O manifold) F01 W/I single sub base (B type) Fxx xx stations manifold (B type) M02 2 stations manifold (A type) Mxx xx stations manifold (A type)		M3 M3 M5 M5	S Single solenoid D Double solenoid	6 6VDC 7 12VDC 9 24VDC	Blank (W/O LED)	

#### How to order manifold

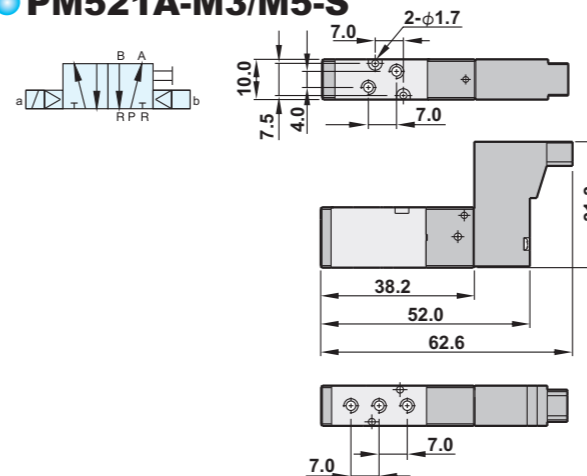
<b>MF521</b>	<b>A</b>	-	<b>M3</b>	-	<b>02</b>
10mm valves series	Manifold type		Port size		Stations
5/2 way	A For body ported valve B For base mounted valve				02 2 stations 03 3 stations XX XX stations

#### Specifications

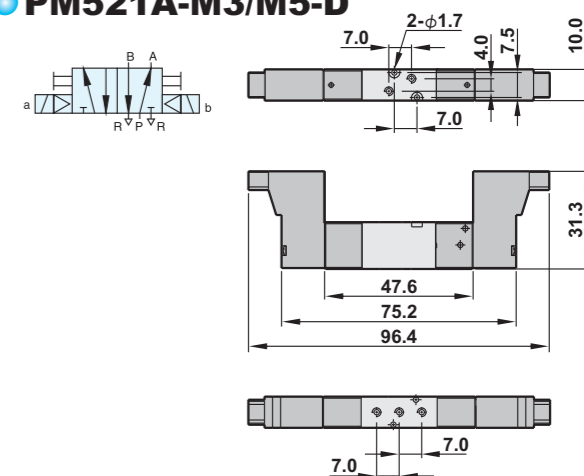
Model	PM521-M3/M5-S	PM521-M3/M5-D
Port size	M3/M5	
Fluid	Compressed air	
Sectional area	1.0mm <sup>2</sup>	
Acting	Internal pilot	
Operating pressure range	1.0 ~ 7 kgf/cm <sup>2</sup>	
Cycle rate	500 cpm	
Max. operating pressure	8.0 kgf/cm <sup>2</sup>	
Ambient temperature	-10°C ~ 60°C	
Duty cycle	100% ED	
Electrical connection	JPC plug connector	
Protection class	IP65(DIN 40 050)	
Insulation class	F	
Voltage tolerance	±10%	
Standard voltage	6VDC, 12VDC, 24VDC (The other voltage is optional)	
Net weight	35g	48g

#### Dimensions

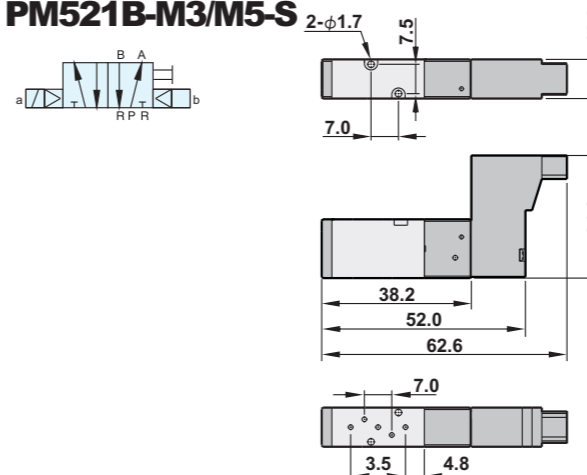
##### PM521A-M3/M5-S



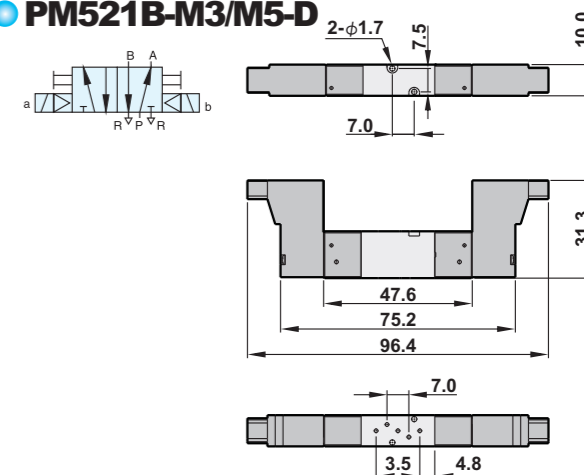
##### PM521A-M3/M5-D



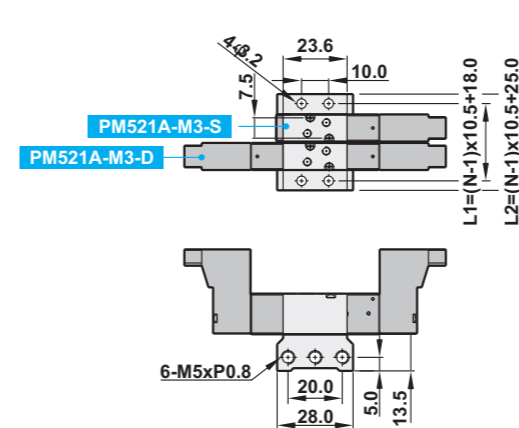
##### PM521B-M3/M5-S



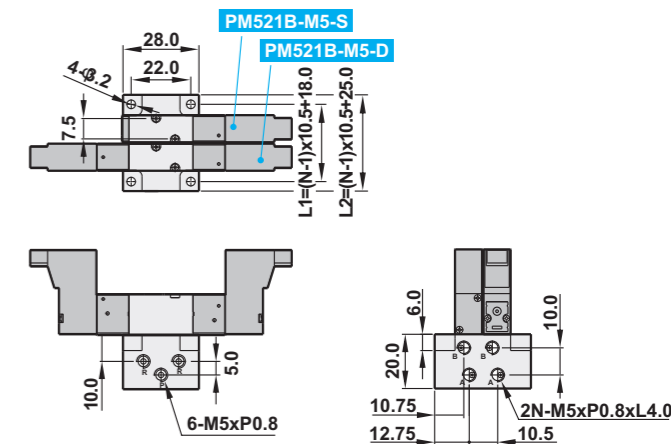
##### PM521B-M3/M5-D



##### MF521A-M5



##### MF521B-M5



Number of station (N)	2	3	4	5	6	7	8	9	10
L1	28.5	39.0	49.5	60.0	70.5	81.0	91.5	102.0	112.5
L2	35.5	46.0	56.5	67.0	77.5	88.0	98.5	109.0	119.5