

Features

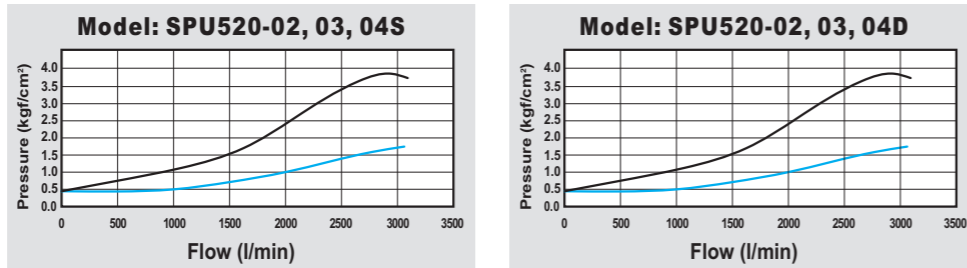
- * Stainless steel SUS316 body for corrosion resistance.
- * Ex-proof coil is available, please refer to page 7-6.



How to order

SPU520	04	N	S	1	LED	E
SUS316 series	Port size	Thread	Solenoid	Voltage	LED	Coil type
5/2 way	02 1/4" 03 3/8" 04 1/2"	Blank PS N NPT	S Single solenoid D Double solenoid	1 110VAC 2 220VAC 9 24VDC	Blank (W/O LED)	Blank DIN E Ex-proof

Flow chart

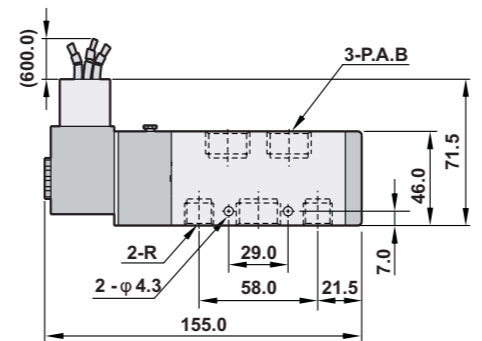
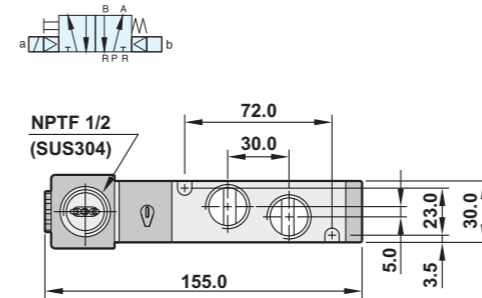


Specifications

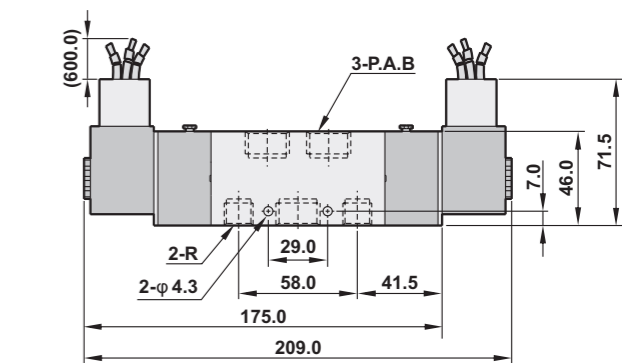
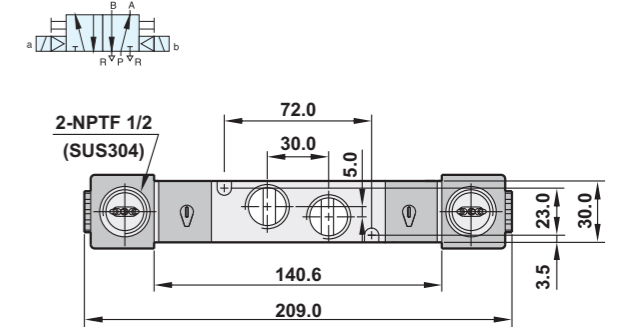
Model	SPU520-02, 03, 04S	SPU520-02, 03, 04D
Port size	1/4", 3/8", 1/2"	1/4", 3/8", 1/2"
Sectional area	35mm ² 65mm ²	35mm ² 65mm ²
Fluid	Compressed air	
Acting	Internal pilot	
Operating pressure range	1.5~8 kgf/cm ²	
Max. operating pressure	9.99 kgf/cm ²	
Ambient temperature	-10°C ~ 60°C	
Insulation class	F	
Temperature class	EExmIIT4	
Duty cycle	100% ED	
Voltage tolerance	±10%	
Protection class	IP65 (EN 60529)	
Standard voltage	220VAC, 110VAC, 24VDC (The other voltage is optional)	
Net weight	1000g	1200g

Dimensions

SPU520-02, 03, 04S



SPU520-02, 03, 04D



Model	A	B	P	R
SPU520-02	1/4	1/4	1/4	1/4
SPU520-03	3/8	3/8	3/8	3/8
SPU520-04	1/2	1/2	1/2	3/8

Explosion

