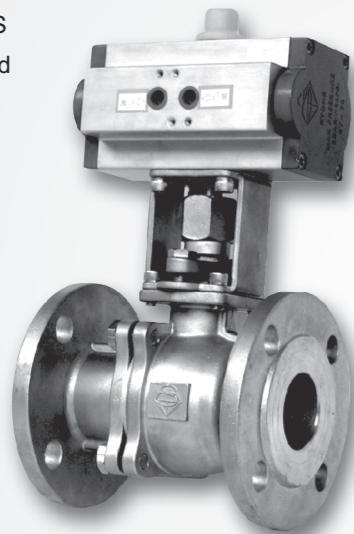
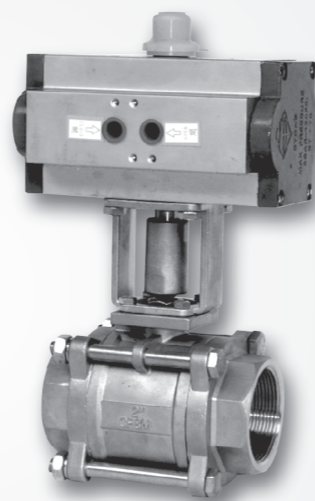


Features

- * The actuator attached CY520-02-S Namur valve for large flow rate and quick acting.
- * Various material for the body of valve (FC, S.S.304, S.S.316).
- * The valve can be installed in vertically or horizontally.
- * Durability and easy maintenance.
- * The valve can be attached with limit switch.
- * Hand wheel design for hand control.



SCY221



SCY222

How to order

SCY221	3	F	CA	-	O4
Cylinder actuated ball valve	3 3 pieces type	Flange type	Actuator		Port size
Stainless steel SUS304		F 10K F3 150LB	Blank W/O actuator CA Aluminum alloy actuator FC Cast iron actuator		04 1/2" 14 1-1/2" 40 4" 06 3/4" 20 2" 50 5" 08 1" 24 2-1/2" 60 6" 12 1-1/4" 30 3"

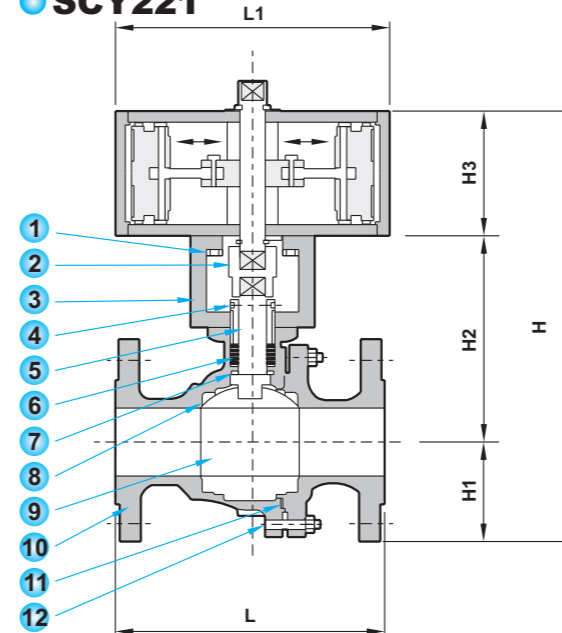
SCY222	3	CA	-	O2	N
Cylinder actuated ball valve	3 3 pieces type	Actuator		Port size	Thread
Stainless steel SUS316		Blank W/O actuator CA Aluminum alloy actuator FC Cast iron actuator		02 1/4" 08 1" 24 2-1/2" 30 3" 03 3/8" 12 1-1/4" 30 3" 04 1/2" 14 1-1/2" 20 2" 06 3/4" 20 2"	Blank PT N NPT

Specifications

Model	SCY222	SCY221
Port size	Thread type : 1/4" - 3" (02~30)	Flange type : 1/2" - 6" (04~60)
Fluid	Compressed air, Water, Acid & alkaline chemical fluid, steam, oil	
Acting	Double acting	
Construction	Piston	
Operating pressure range	Operating pressure: 4~6kg/cm ² , Working pressure: 1000PSI	
Body material	Thread type : FC SUS316 · Flange type : FC SUS304	
Fluid temperature	-10°C ~ 120°C	
Ambient temperature	-10°C ~ 60°C	

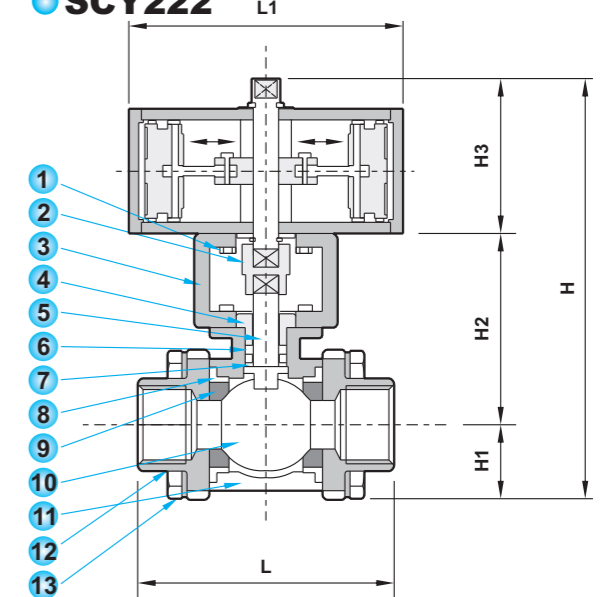
Dimensions

SCY221



Size		L	L1	H	H1	H2	H3
Size mm	Size						
15	1/2"	108	109	224	48	97	79
20	3/4"	117	109	228	50	99	79
25	1"	127	131	257	62	105	90
32	1-1/4"	140	165	276	62	105	109
38	1-1/2"	165	165	324	68	147	109
50	2"	178	165	336	77	150	109
65	2-1/2"	190	200	387	86	178	128
80	3"	203	200	396	92	181	128
100	4"	230	249	452	105	204	143
125	5"	300	292	512	132	207	173
150	6"	340	328	588	139	247	202

SCY222



Size		L	L1	H	H1	H2	H3
Size mm	Size						
11.6	1/4"	65	109	175	20	76	79
12.7	3/8"	65	109	175	20	76	79
15	1/2"	74	109	185	24	82	79
20	3/4"	83	109	191	27	85	79
25	1"	94	131	208	30	88	90
32	2-1/4"	105	165	238	35	94	109
40	2-1/2"	120	165	268	40	119	109
50	2"	136	165	283	47	127	109
65	2-1/2"	167.5	200	337	59	155	128
80	3"	189	200	258	67	168	128

Construction

SCY221

No.	Description	Material	Quantity
1	Bolt	SUS304	4
2	Adaptor	SCS13	1
3	Yoke	SCS13	1
4	Gland	BC-6	1
5	Stem	SUS304	1
6	Packing	TEFLON	4
7	Packing	TEFLON	1
8	Seat ring	TEFLON	2
9	Ball	SCS13	1
10	Body	SCS13	1
11	Gasket	TEFLON	1
12	Bolt	SUS304	4

SCY222

No.	Description	Material	Quantity
1	Bolt	SUS304	4
2	Adaptor	SCS13	1
3	Yoke	SCS13	1
4	Gland	SUS304	1
5	Stem	SUS304	1
6	Gland packing	PTFE	4
7	Packing	Teflon	1
8	Packing	PTFE	1
9	Seat ring	PTFE	1
10	Ball	ASTM A351 GR.CF8M	1
11	Body	ASTM A351 GR.CF8M	1
12	End cap	ASTM A351 GR.CF8M	2
13	Bolt	SUS304	4