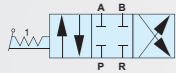
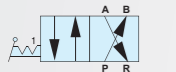


Symbol

TSV30043



TSV30042



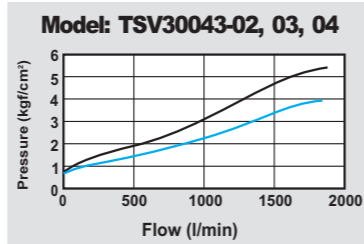
Features

- * Simply operating.
- * Large flow rate.
- * High safety.
- * Light weight.
- * 4 kinds of installation.
- * Cock design for safety operation.

How to order

| | | | | |
|---------------|---------|-----------|----------|-----------------------|
| TSV30043 | | O2 | N | B |
| Rotary valves | | Port size | Thread | Valve type |
| TSV30043 | 4/3 way | O2 1/4" | Blank PS | Blank Standard |
| TSV30042 | 4/2 way | O3 3/8" | N NPT | B Ports on bottom |
| | | O4 1/2" | | C With cock device |
| | | | | P With panel mounting |

Flow chart

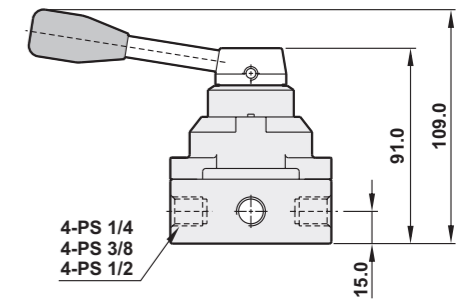
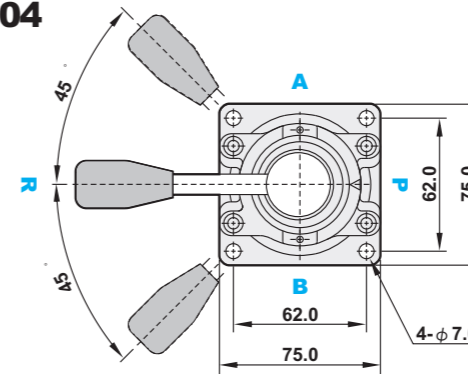


Specifications

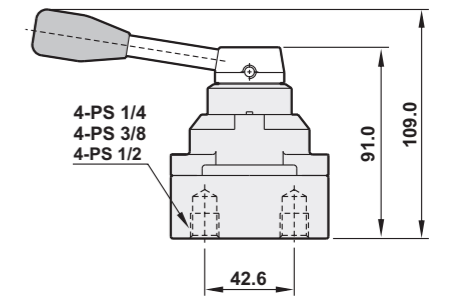
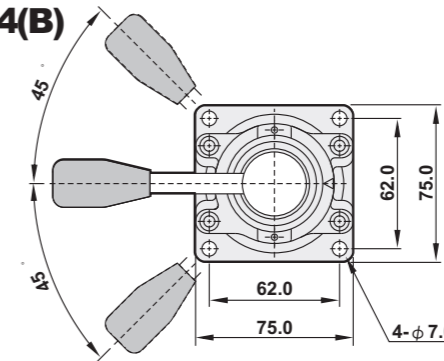
| Model | TSV30043(2)-02 | TSV30043(2)-03 | TSV30043(2)-04 |
|--------------------------|--------------------------------------|----------------|----------------|
| Port size | 1/4" | 3/8" | 1/2" |
| Body material | Aluminum alloy | | |
| Panel dimension | M40 x P1.5 (For panel mounting only) | | |
| Fluid | Compressed air | | |
| Sectional area | 18mm ² | | |
| Operating pressure range | 0 ~ 9 kgf/cm ² | | |
| Max. operating pressure | 10kgf/cm ² | | |
| Ambient temperature | -10°C ~ 60°C | | |
| Net weight | 600g | 580g | 560g |

Dimensions

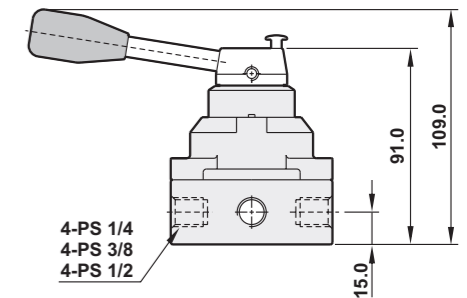
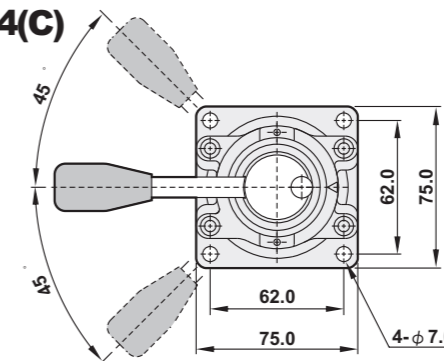
TSV30043-02,03,04



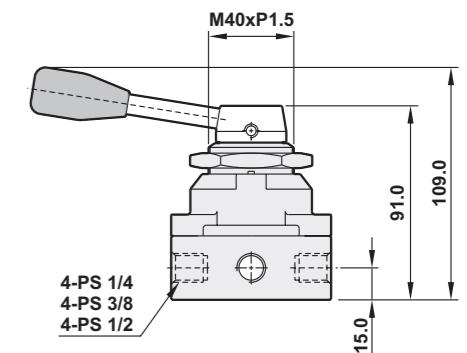
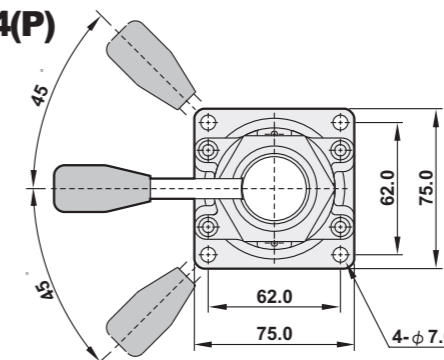
TSV30043-02,03,04(B)



TSV30043-02,03,04(C)



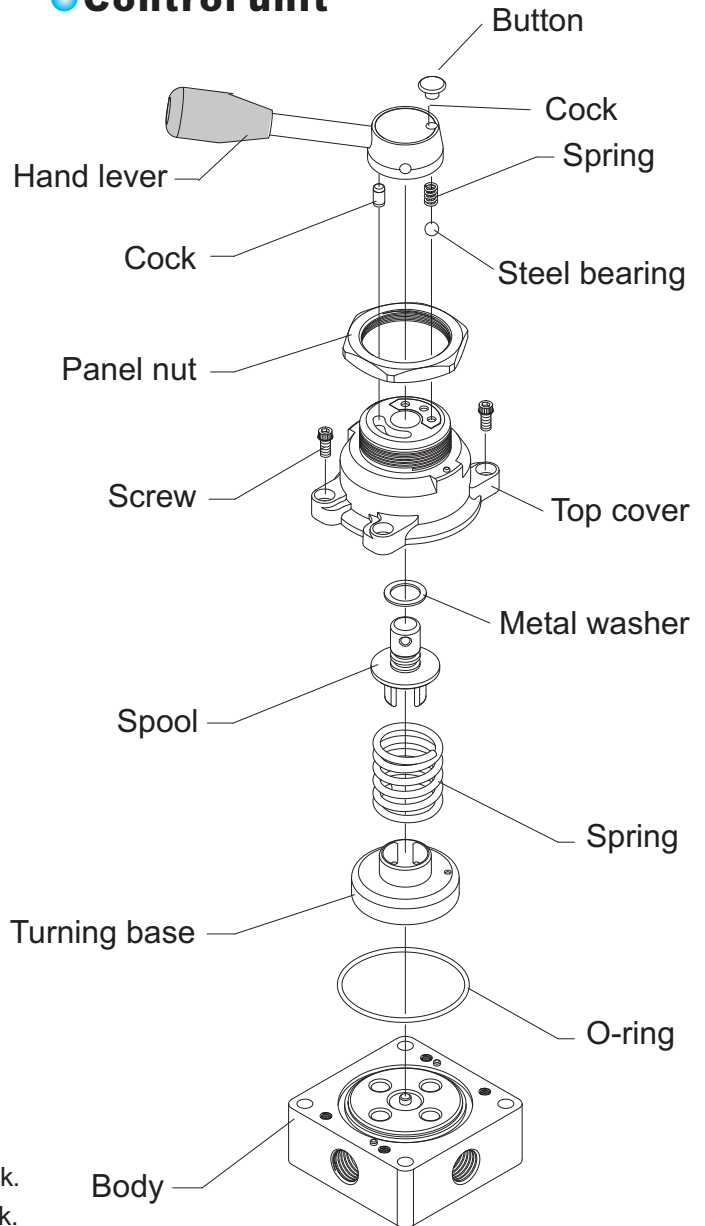
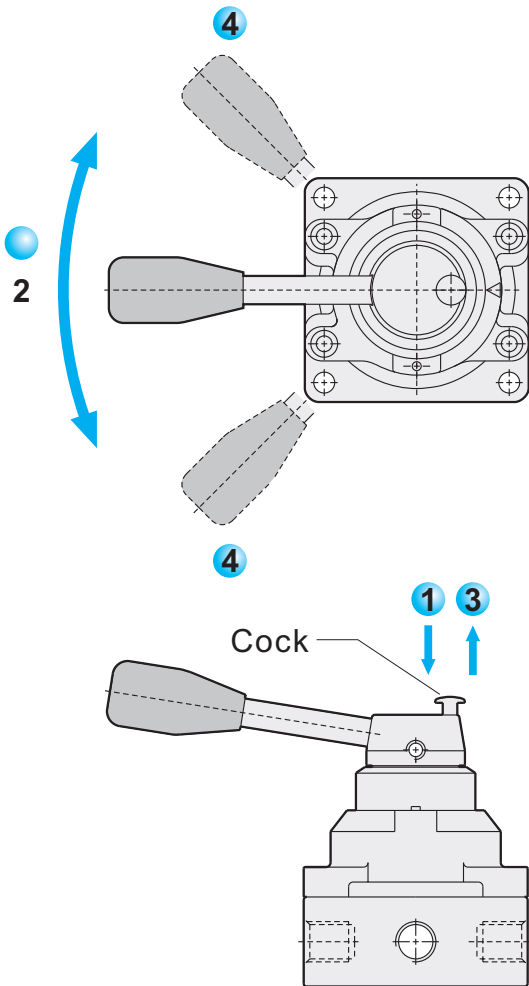
TSV30043-02,03,04(P)



Explosion

Operating steps TSV30043 C

Control unit



Operating steps

1. Push the cock down.
2. Turn lever to the left or right.
3. Lift your hand to release cock, the cock bound back.
4. Please do not turn lever when the cock bound back.

