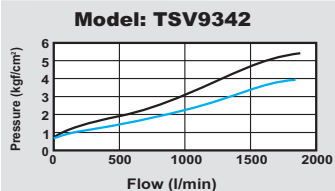


## Features

- \* Simply operating.
- \* Large flow rate.
- \* High safety.
- \* Teflon wear ring and rubber seal offer stable quality and long life.

\* Stainless steel SUS316 body for corrosion resistance

## Flow chart



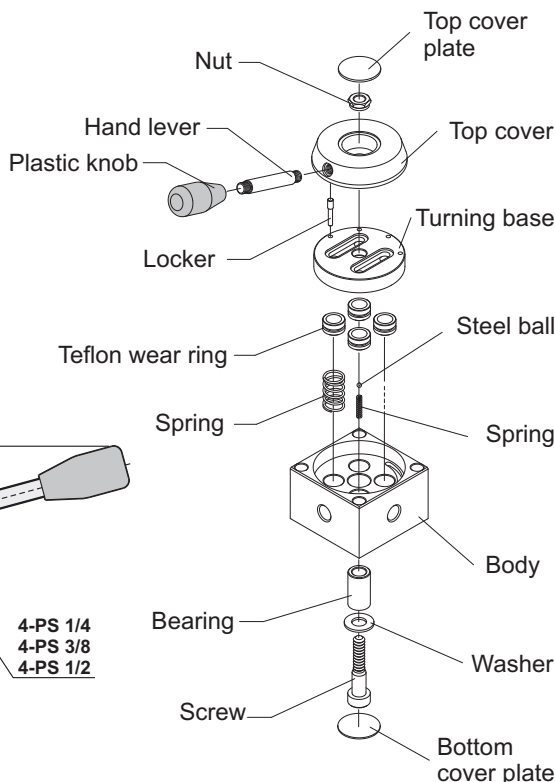
Patent number in Taiwan : 23613  
 Patent number in China : ZL200420019531.72  
 Patent category : Pressure regulating constructions

## How to order

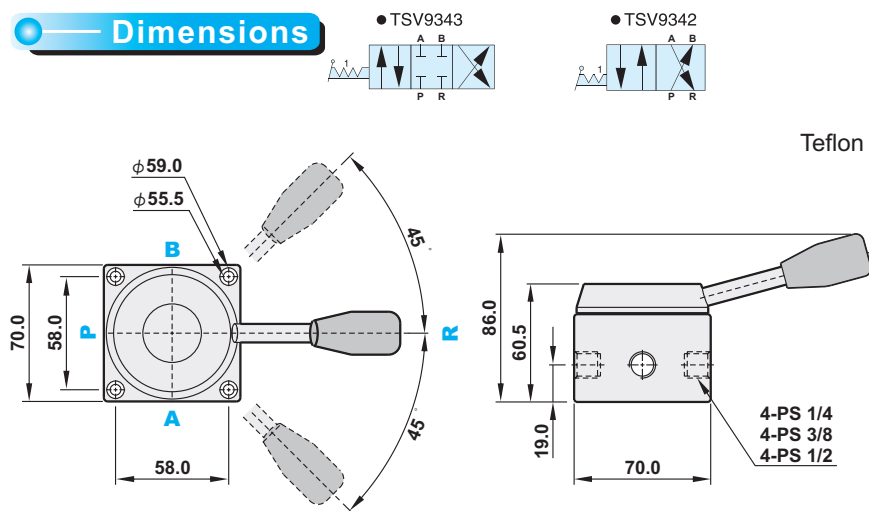
**TSV9342** - **02** **N**

Stainless steel rotary valves		Port size		Thread	
43	4/3 way	02	1/4"	Blank	PS
42	4/2 way	03	3/8"	N	NPT
		04	1/2"		

## Explosion



## Dimensions



## Specifications

Model	TSV9342(43)-02	TSV9342(43)-03	TSV9342(43)-04
Port size	1/4"	3/8"	1/2"
Body material	Satinless steel SUS316		
Fluid	Compressed air		
Sectional area	18mm <sup>2</sup>		
Operating pressure range	0 ~ 9.9 kgf/cm <sup>2</sup>		
Max. operating pressure	10 kgf/cm <sup>2</sup>		
Ambient temperature	-10°C ~ 60°C		
Net weight	1800g		