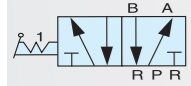


Features

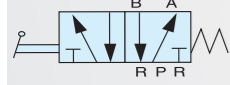
- * Simply operating.
- * Suitable for vacuum operation.
- * Available for panel mounting.
- * Mounting bracket as optional accessory.
- * TSV8652R-01/02 for manifold assembly.

Symbol

• TSV8652 M



• TSV8652 S



TSV8652R-02M



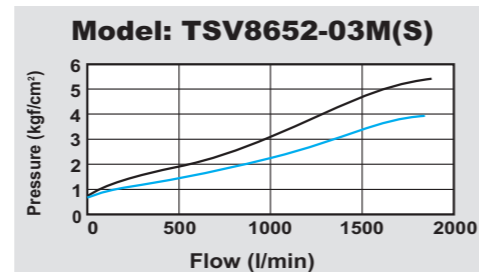
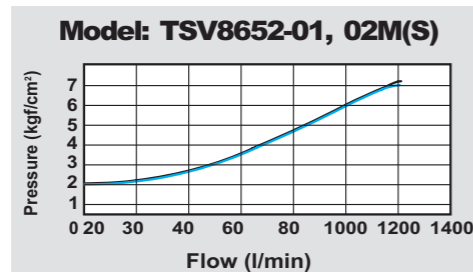
How to order

| TSV8652 | | R | - | O2 | N | M | F |
|---------------------|----------|------------|---------------------------|-------------------------------|-------------------|-----------------------------|---|
| Hand control valves | Manifold | Port size | Thread | Acting | Mounting bracket | | |
| 52 | 5/2 way | Blank R | Standard Manifold type | 01 1/8" 02 1/4" 03 3/8" | Blank PS N NPT | S Spring return M Detent | Blank W/O bracket F W/I mounting bracket For 1/8", 1/4" only. |

Specifications

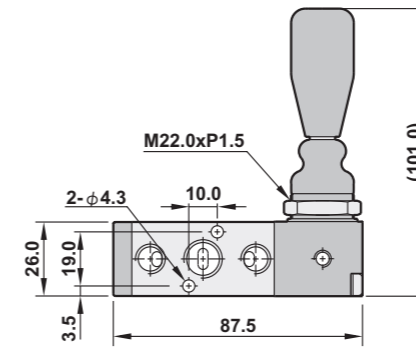
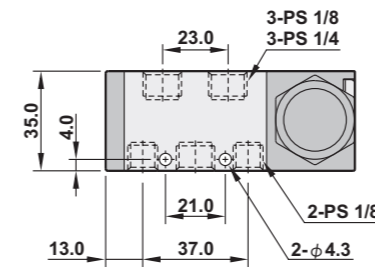
| Model | TSV8652(R)-01M(S) | TSV8652(R)-02M(S) | TSV8652-03M(S) |
|--------------------------|---------------------------|-------------------|-------------------|
| Port size | 1/8" | 1/4" | 3/8" |
| Body material | Aluminum alloy | | |
| Fluid | Compressed air | | |
| Sectional area | 18mm ² | 18mm ² | 35mm ² |
| Operating pressure range | 0 ~ 9 kgf/cm ² | | |
| Max. operating pressure | 10 kgf/cm ² | | |
| Ambient temperature | -10°C ~ 60°C | | |
| R type | For 1/8", 1/4" port only | | |

Flow chart

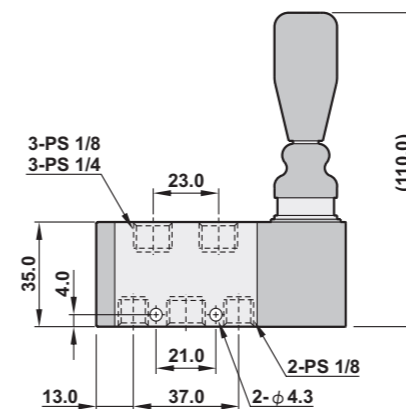
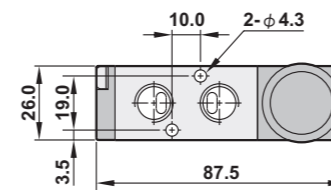


Dimensions

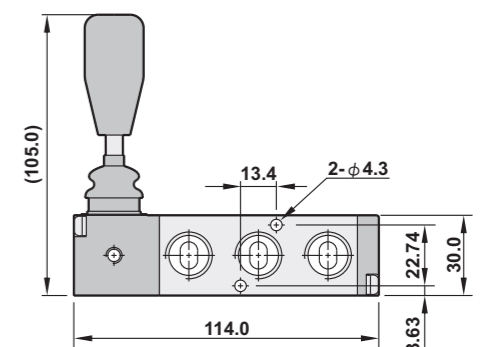
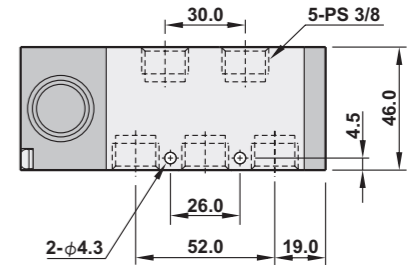
• TSV8652-01, 02M(S)



• TSV8652R-01, 02



• TSV8652-03M(S)



• TSV8652-01, 02MF

