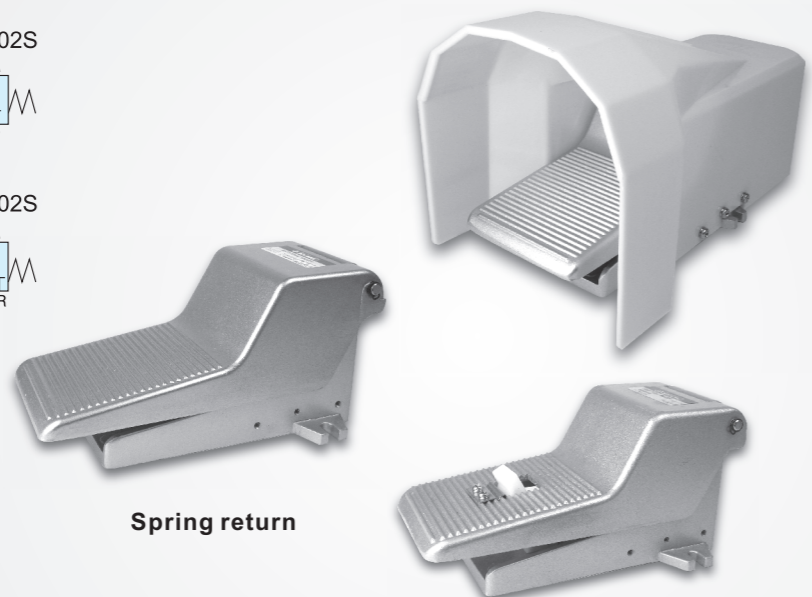
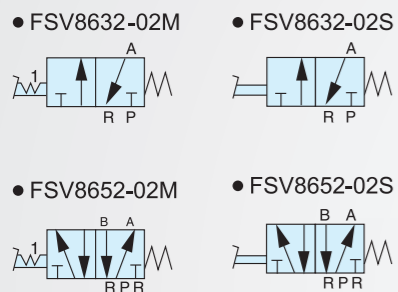


Symbol



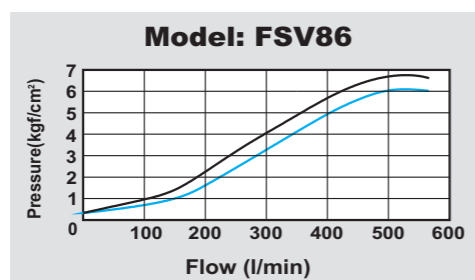
Features

- * Aluminum alloy construction for durable use.
- * Available to be installed with polycarbonate protective guard.

How to order

FSV8632	-	02	N	M	F
Foot pedal valves		Port size	Thread	Acting	Protective guard
FSV8652	5/2 way	02 1/4"	Blank PS N NPT	S Spring return M Detent	Blank W/O guard F W/I guard
FSV8632	3/2 way				

Flow chart

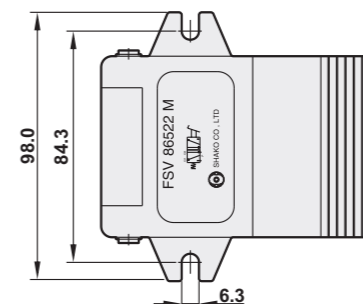


Specifications

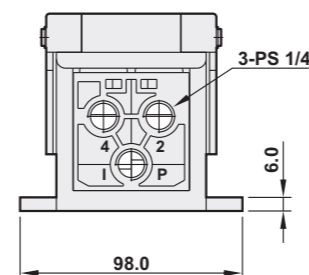
Model	FSV8632-02	FSV8652-02
Port size	1/4"	
Body material	Aluminum alloy	
Fluid	Compressed air	
Sectional area	12mm ²	
Operating pressure range	0 ~ 9 kgf/cm ²	
Max. operating pressure	10 kgf/cm ²	
Ambient temperature	-10°C ~ 60°C	

Dimensions

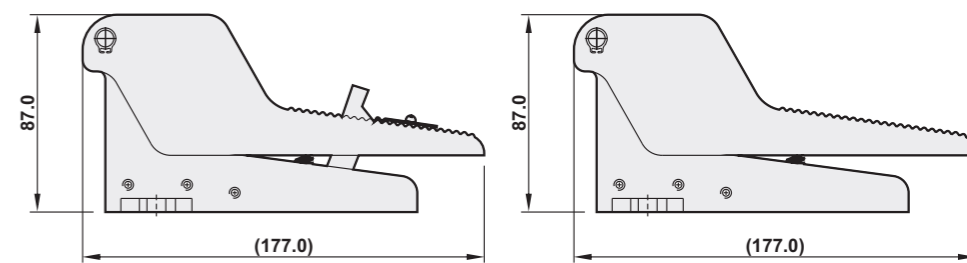
- FSV8652-02M(S)
- FSV8632-02M(S)



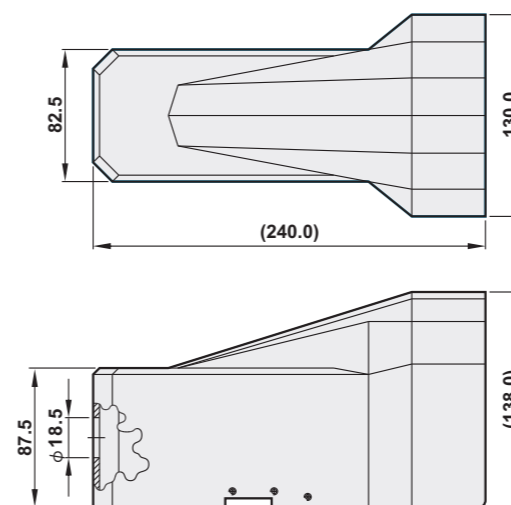
Detent



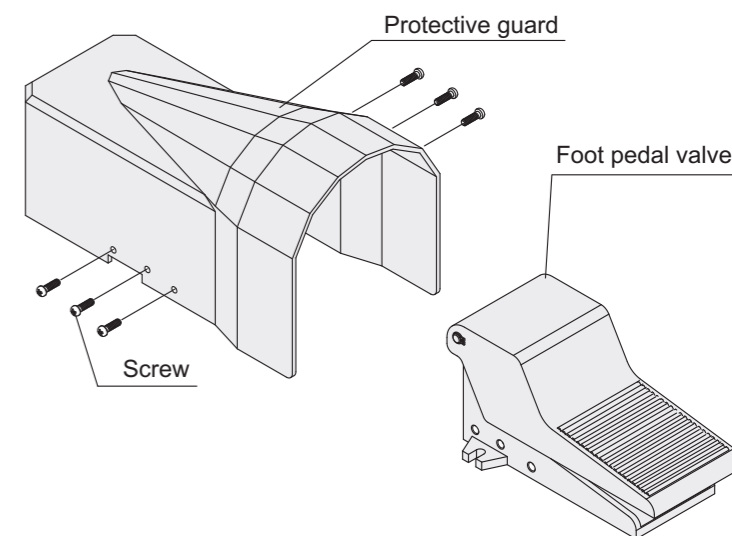
Spring return



Guard dimensions



Explosion



MECHANICAL VALVES

MECHANICAL VALVES