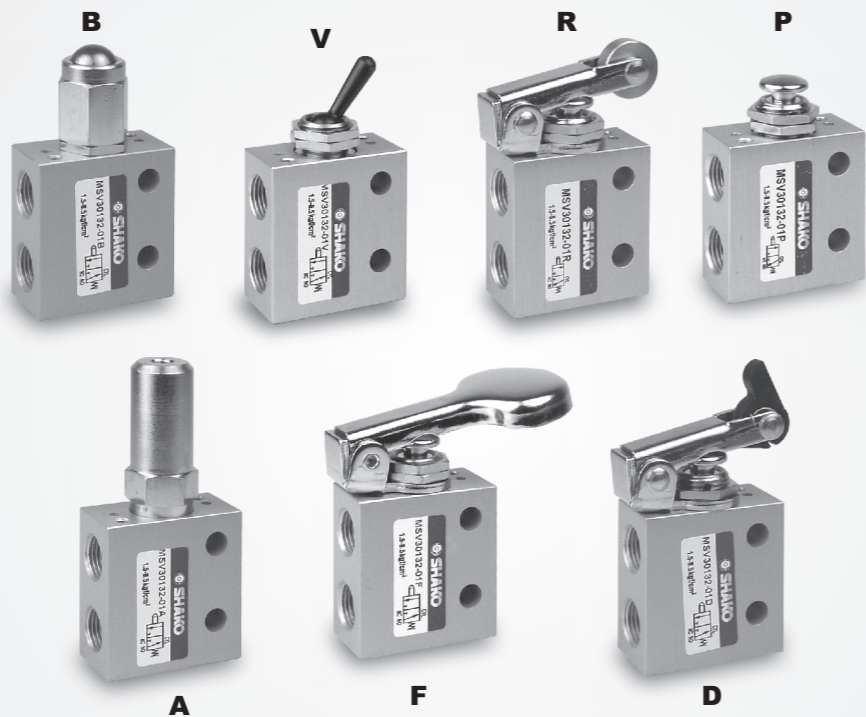


### Features

- \* One valve is okay for N.O or N.C use.
- \* 7 kinds of installation.
- \* Panel bore size  $\phi 12$ .

301P patent number in China :  
ZL200530157285.1

301V patent number in China :  
ZL200530157282.8



### How to order

**MSV30132**

Mechanical valves  
3/2 way

**01**

Port size  
01 1/8"

**N**

Thread	
Blank	PS
N	NPT

**V**

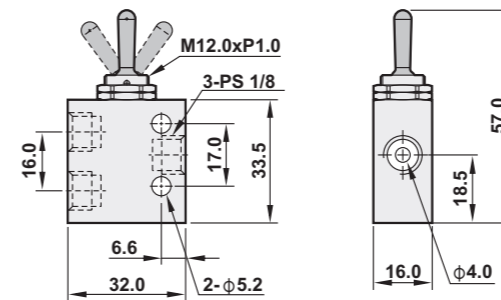
Operator	
V	Toggle lever
R	Roller
P	Push button
D	One way roller
B	Ball plunger
A	Air pilot
F	Finger button

### Specifications

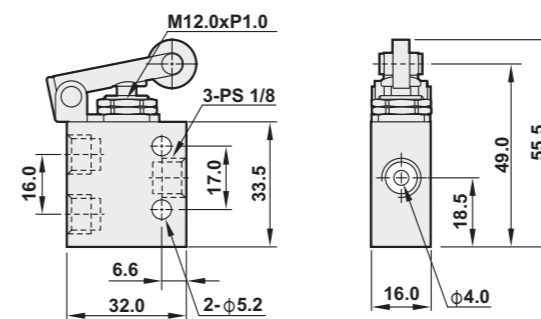
Model	MSV30132-01
Port size	1/8"
Body material	Aluminum alloy
Panel dimension	12mm
Fluid	Compressed air
Sectional area	5.5mm <sup>2</sup>
Operating pressure range	0 ~ 9 kgf/cm <sup>2</sup>
Air pilot operation	Starting pressure: 3.5 ~ 4.5 kgf/cm <sup>2</sup>
Max. operating pressure	10 kgf/cm <sup>2</sup>
Ambient temperature	-10°C ~ 60°C

### Dimensions

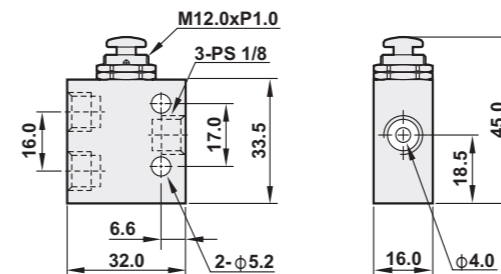
#### MSV30132-01V



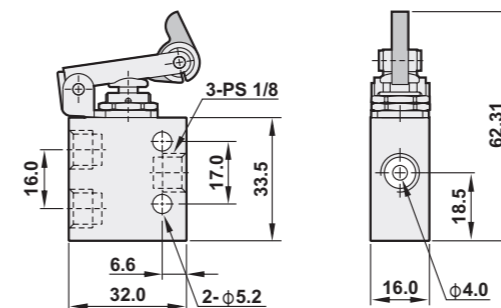
#### MSV30132-01R



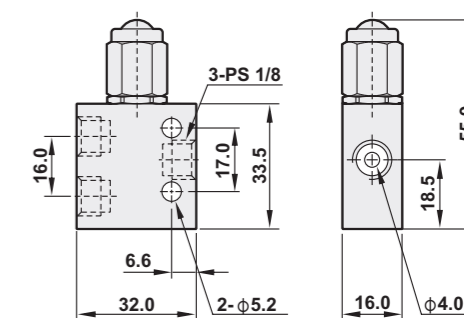
#### MSV30132-01P



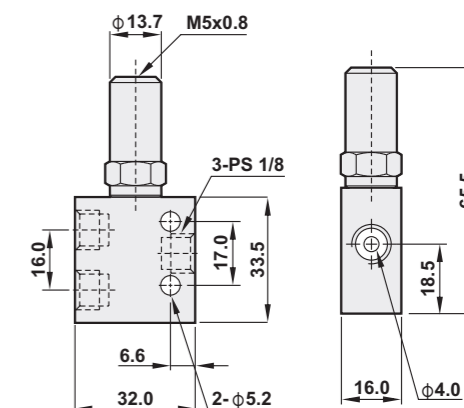
#### MSV30132-01D



#### MSV30132-01B



#### MSV30132-01A



#### MSV30132-01F

