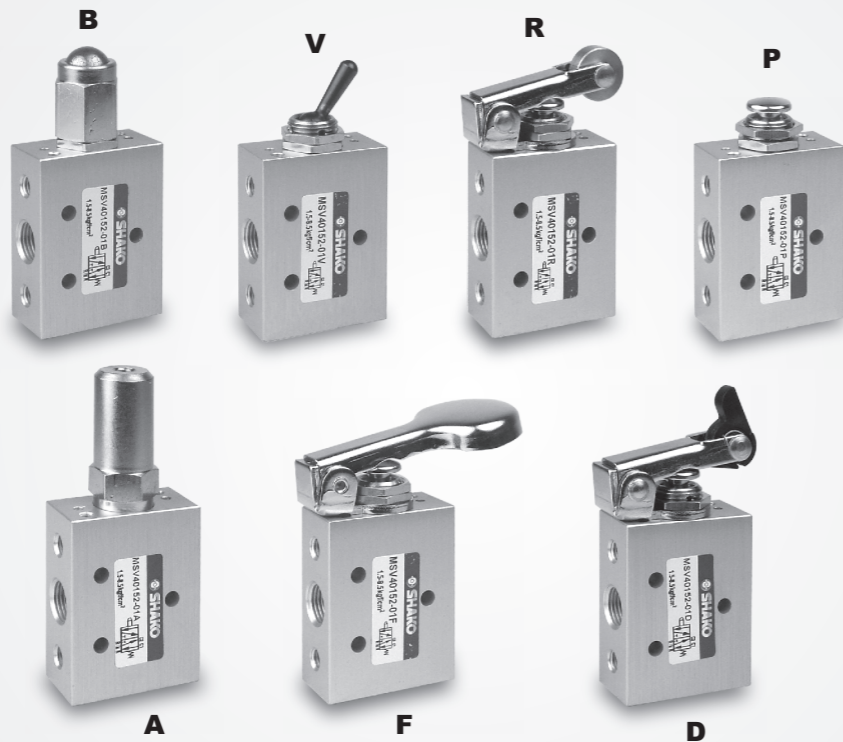


### Features

- \* 7 kinds of installation.
- \* Panel bore size  $\phi 12$ .

401P patent number in China :  
ZL200530157288.5

401V patent number in China :  
ZL200530157287.0



### How to order

**MSV40152** —

**01**

**N**

**V**

Mechanical valves

Port size

Thread

Operator

5/2 way

01 1/8"

Blank	PS
N	NPT

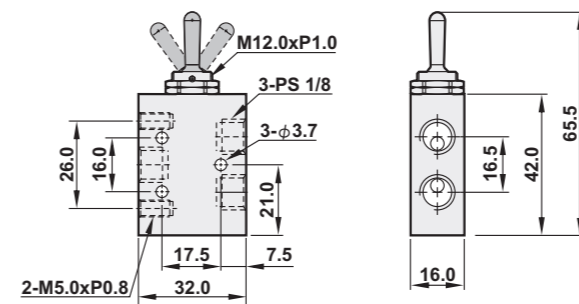
V	Toggle lever
R	Roller
P	Push button
D	One way roller
B	Ball plunger
A	Air pilot
F	Finger button

### Specifications

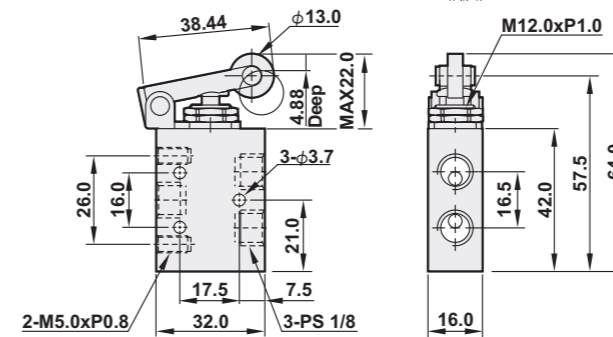
Model	MSV40152-01
Port size	1/8"
Body material	Aluminum alloy
Panel dimension	12mm
Fluid	Compressed air
Sectional area	6.3mm <sup>2</sup>
Operating pressure range	0 ~ 9 kgf/cm <sup>2</sup>
Air pilot operation	Starting pressure: 3.5 ~ 7.0 kgf/cm <sup>2</sup>
Max. operating pressure	10 kgf/cm <sup>2</sup>
Ambient temperature	-10°C ~ 60°C

### Dimensions

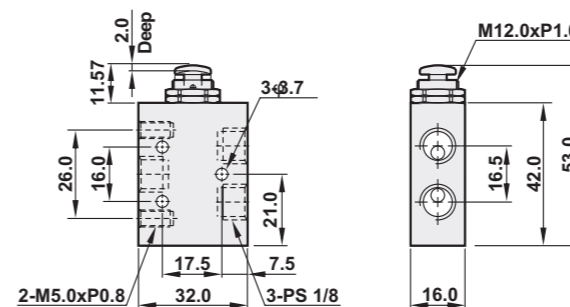
#### MSV40152-01V



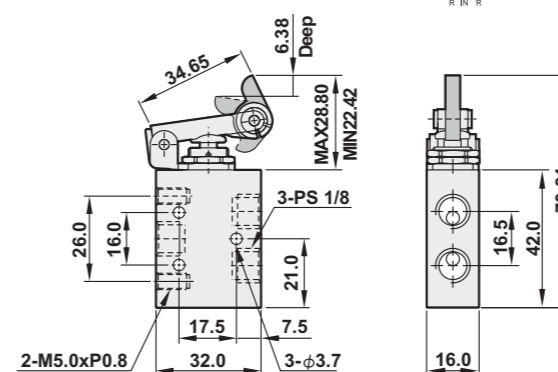
#### MSV40152-01R



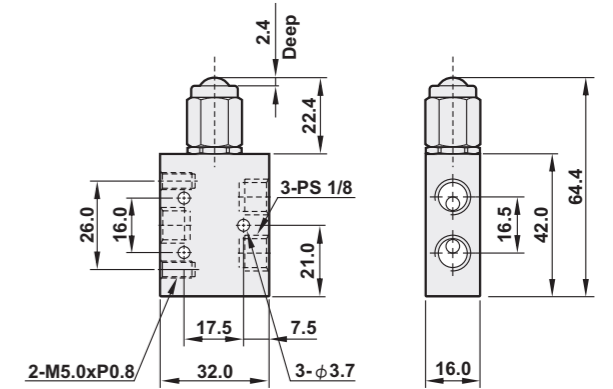
#### MSV40152-01P



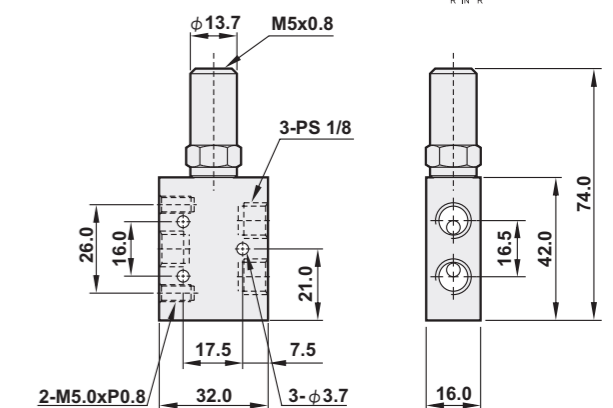
#### MSV40152-01D



#### MSV40152-01B



#### MSV40152-01A



#### MSV40152-01F

