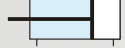
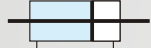


Symbol

IC : ISO6431 standard type



ICD : Double piston rod type



Features

- * Identical to ISO6431 standard.
- * High quality of aluminum tube provides a long service life.
- * High quality of seals ensures leakage free.
- * Various sensors for option.
- * With adjustable cushions on both ends.



How to order

IC	125	B	50	SF	1	FA	Y
Type	Bore size	Magnet	Stroke	Sensor type	Number of sensor	Mounting parts	Rod end joint
IC ISO6431 standard type	125 φ 125	B W/I magnet		Blank W/O sensor	1 pc	Blank W/O mounting parts	Blank W/O rod end joint
ICD Double piston rod type	160 φ 160	C W/O magnet		SF LED in front	2 pcs	FA Front flange	Y Double knuckle joint
	200 φ 200			ST LED on top		FB Rear flange	I Single knuckle joint
						CA Male clevis	P Eyebolt floating joint
						CB Female clevis	T Basic floating joint
						LB Foot mounting	

How to order Mounting parts / Rod end joints

ZI	FA	FY	125
IC series	Mounting parts	Rod end joint	Bore size
	Blank W/O mounting parts	Blank W/O rod end joint	125 φ 125
	FA Front flange	FY Double knuckle joint	160 φ 160
	FB Rear flange	FI Single knuckle joint	200 φ 200
	CA Male clevis	P Eyebolt floating joint	
	CB Female clevis	T Basic floating joint	
	LB Foot mounting		

* Please refer to P5-10~11

* Please refer to P5-40~41

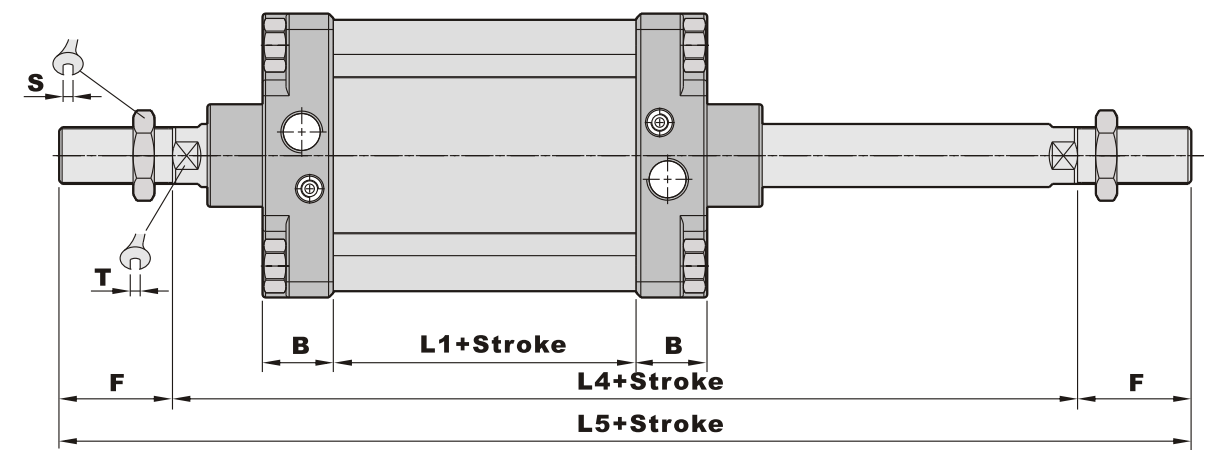
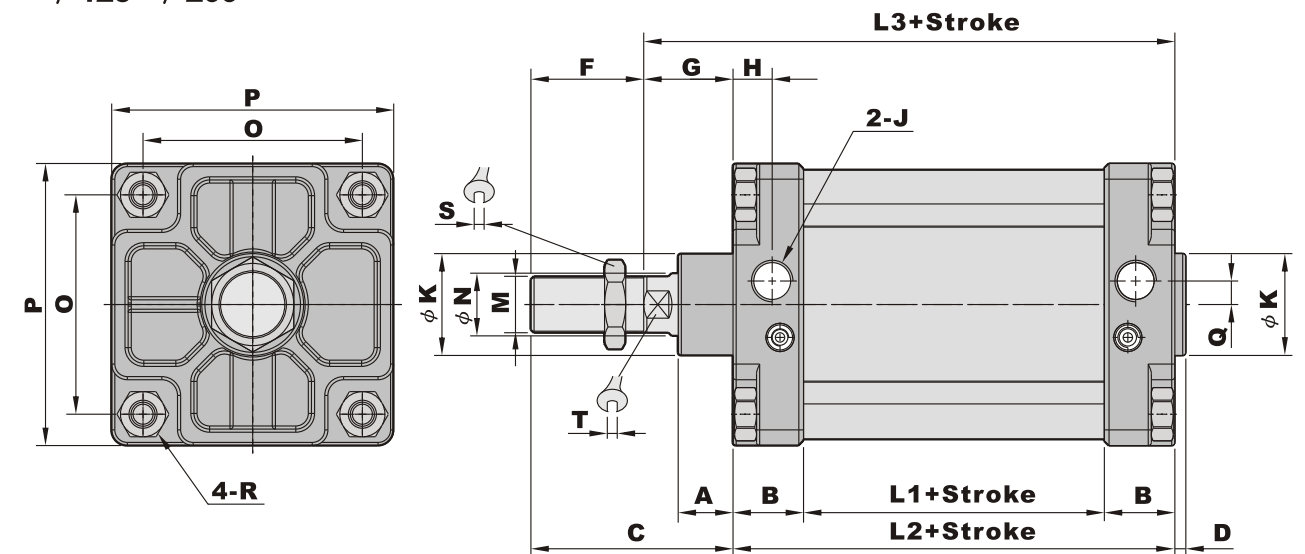
Specifications

Bore size	φ 125	φ 160	φ 200
Port size	1/2"	3/4"	
Fluid	Compressed air		
Acting	Double acting		
Operating pressure range	1.5 ~ 9.5 kgf/cm ² (150~950Mpa)		
Barrel material	Aluminum alloy		
Cushion	Built in		
Magnet	Option		
Ambient temperature	-5℃ ~ 60℃		
Piston speed	50~700mm/Sec.		

Dimensions

ISO6431 standard type

φ 125~ φ 200



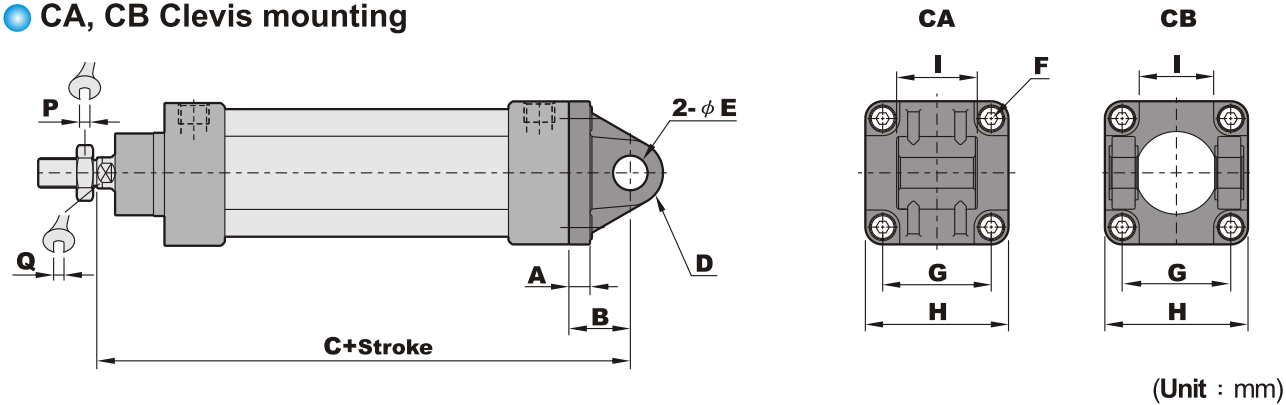
(Unit : mm)

Bore size	A	B	C	D	F	G	H	J	K
φ 125	32	40	106	8	54	52	23	PS 1/2	φ 60
φ 160	35	45	129	7	72	57	25	PS 3/4	φ 65
φ 200	58	45	158	8	72	86	25	PS 3/4	φ 75

Bore size	L1	L2	L3	L4	L5	M	N	O	P	Q	R	S	T
φ 125	62	142	194	246	354	M27xP2	φ 32	110	140	14	M12	40	27
φ 160	62	152	209	266	410	M36xP2	φ 40	140	180	15	M16	50	36
φ 200	64	154	240	326	470	M36xP2	φ 40	175	220	15	M16	50	36

Dimension of mounting parts

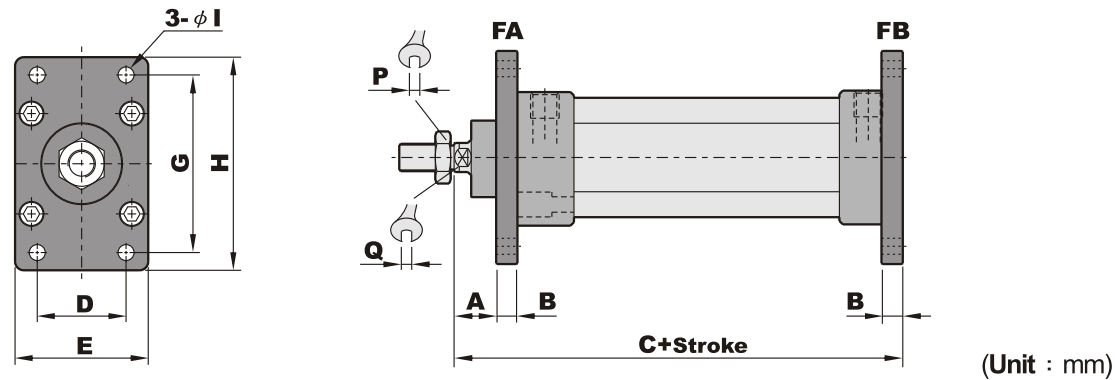
CA, CB Clevis mounting



(Unit : mm)

Bore size	A		B	C	D	E	F	G	H	I	P	Q
	CA	CB										
φ 32	10	10	22	142	R11	φ 10	M6	32.5	46	26	17	10
φ 40	10	10	25	160.8	R13	φ 12	M6	38	54	28	19	13
φ 50	12	12	27	170	R13	φ 12	M8	46.5	64	32	24	17
φ 63	12	12	32	190	R17	φ 16	M8	56.5	77	40	24	17
φ 80	16	16	36	210.8	R17	φ 16	M10	72	94	50	30	22
φ 100	16	16	41	230	R21	φ 20	M10	89	114	60	30	22
φ 125	17	19	50	243	R25	φ 25	M12	110	140	70	40	27
φ 160	19.5	19.5	55	264	R30	φ 30	M16	140	180	90	50	36
φ 200	23	22	60	300	R30	φ 30	M16	175	220	90	50	36

FA, FB Front & Rear flange mounting

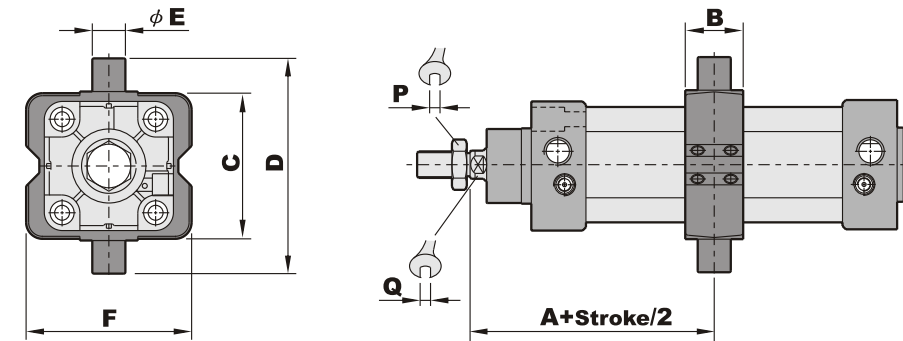


(Unit : mm)

Bore size	A	B	C	D	E	G	H	I	P	Q
φ 32	16	10	130	32	50	64	79	7	17	10
φ 40	20	10	145	36	55	72	90	9	19	13
φ 50	25	12	155	45	65	90	110	9	24	17
φ 63	25	12	170	50	75	100	120	9	24	17
φ 80	30	16	190	63	95	126	153	12	30	22
φ 100	35	16	205	75	115	150	178	14	30	22
φ 125	32	20	214	90	140	180	224	16.5	40	27
φ 160	37	20	229	115	180	230	280	18.5	50	36
φ 200	61	25	265	135	220	270	320	24	50	36

Dimension of mounting parts

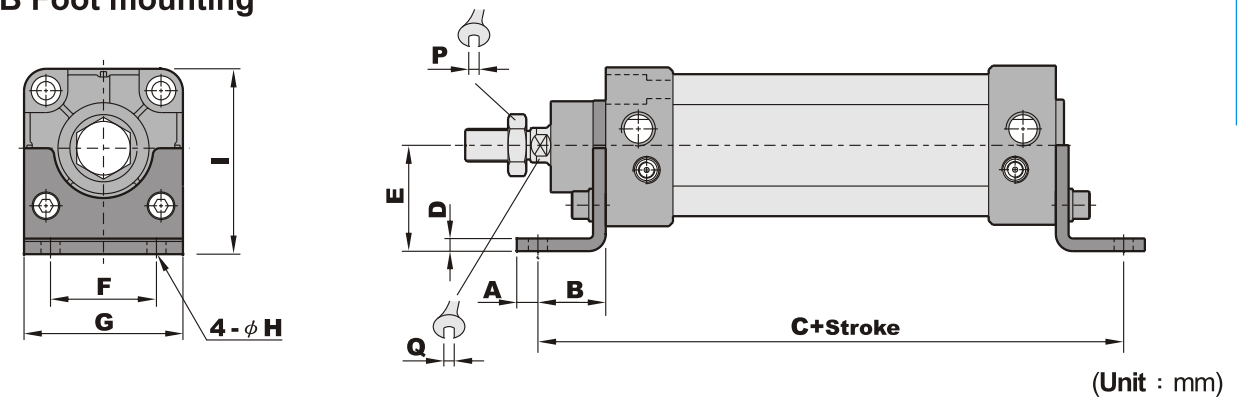
TC Central trunnion mounting



(Unit : mm)

Bore size	A	B	C	D	E	F	P	Q
φ 32	73	22	50	74	φ 12	58	17	10
φ 40	82.5	28	63	95	φ 16	70	19	13
φ 50	90	32	75	107	φ 16	85	24	17
φ 63	97.5	35	90	130	φ 20	100	24	17
φ 80	110	40	110	150	φ 20	120	30	22
φ 100	120	45	132	182	φ 25	145	30	22

LB Foot mounting



(Unit : mm)

Bore size	A	B	C	D	E	F	G	H	I	P	Q
φ 32	8	24	142	4	32	32	47	φ 7	56.5	17	10
φ 40	10	28	161	4	36	36	53	φ 9	63.5	19	13
φ 50	10	32	170	4	45	45	65	φ 9	77.5	24	17
φ 63	10	32	185	4	50	50	75	φ 9	87.5	24	17
φ 80	13	41	210	5	63	63	95	φ 12	110	30	22
φ 100	13	41	220	6	71	75	115	φ 14	127.5	30	22
φ 125	20	45	250	8	90	90	140	φ 16.5	160	40	27
φ 160	20	60	300	8	115	115	180	φ 18.5	205	50	36
φ 200	30	70	320	9	135	135	220	φ 24	245	50	36