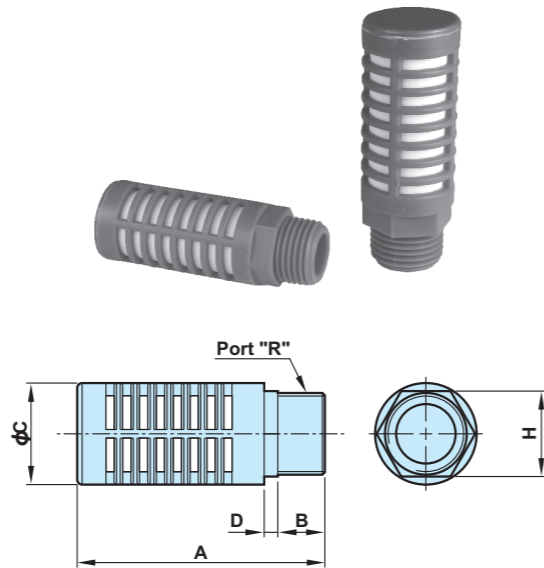


How to order

EN		01	
Silencer-plastic type		Port size	
M5	M5	04	1/2"
01	1/8"	06	3/4"
02	1/4"	08	1"
03	3/8"		

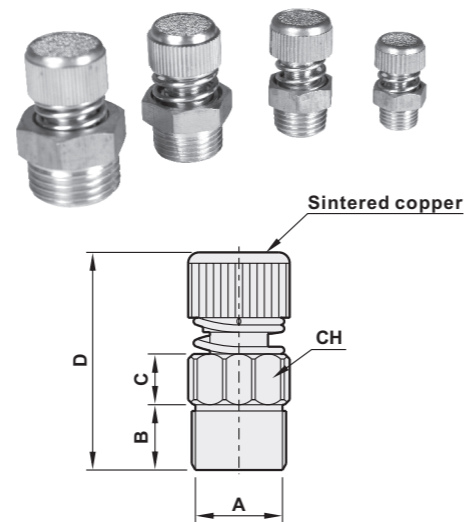
Model	R	A	B	C	D	H
EN-01	PT 1/8"	36.0	7.5	12.0	5.0	11.0
EN-02	PT 1/4"	46.0	10.0	18.0	5.8	16.0
EN-03	PT 3/8"	57.0	11.0	22.0	5.5	17.0
EN-04	PT 1/2"	71.5	12.0	26.0	6.5	22.0
EN-06	PT 3/4"	85.0	14.0	34.0	4.5	26.5
EN-08	PT 1"	100.0	19.0	41.0	5.5	34.5



How to order

EV		01		N	
Silencer-vibration type		Port size		Thread	
01	1/8"	Blank	PT		
02	1/4"	N	NPT		
03	3/8"				
04	1/2"				

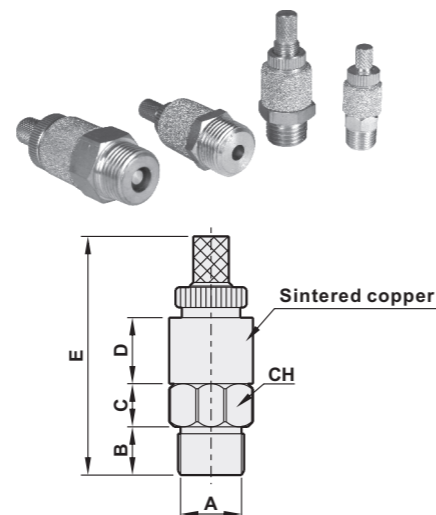
Model	A	B	C	D	CH
EV-01	PT 1/8"	6.0	7.0	33.0	12.0
EV-02	PT 1/4"	9.0	7.0	35.0	16.0
EV-03	PT 3/8"	10.0	10.0	40.0	18.0
EV-04	PT 1/2"	10.0	10.0	42.0	24.0



How to order

ES		01		N	
Silencer-exhaust speed control type		Port size		Thread	
01	1/8"	Blank	PT		
02	1/4"	N	NPT		
03	3/8"				
04	1/2"				

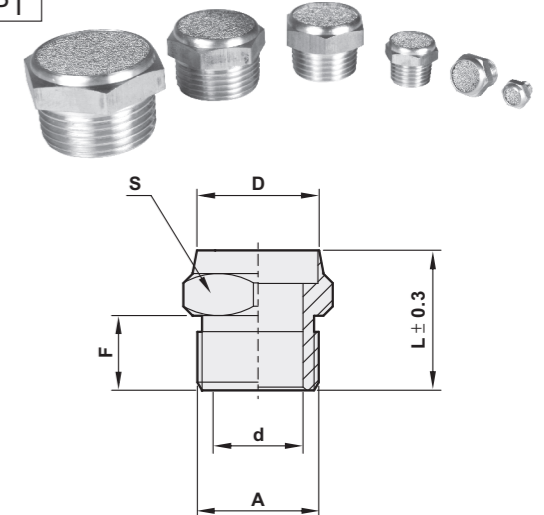
Model	A	B	C	D	E	CH
ES-01	PT 1/8"	6.0	7.0	23.0	43.0	12.0
ES-02	PT 1/4"	9.0	7.0	28.0	48.0	16.0
ES-03	PT 3/8"	10.0	10.0	35.0	55.0	18.0
ES-04	PT 1/2"	10.0	10.0	36.0	57.0	24.0



How to order

EP		01		N	
Silencer-breather vents type		Port size		Thread	
M5	M5	04	1/2"	Blank	PT
01	1/8"	06	3/4"	N	NPT
02	1/4"	08	1"		
03	3/8"				

Model	A	D	d	L	F	S
EP-M5	M5	7.5	2.5	10.0	5.0	8.0
EP-01	PT 1/8"	11.4	6.5	11.3	6.4	12.0
EP-02	PT 1/4"	14.8	9.0	14.1	8.2	15.0
EP-03	PT 3/8"	18.0	12.0	15.8	9.0	19.0
EP-04	PT 1/2"	21.0	15.0	18.8	10.5	22.0
EP-06	PT 3/4"	26.0	20.0	20.8	12.0	27.0
EP-08	PT 1"	34.2	26.0	24.8	14.5	36.0



How to order

EC		01		N	
Silencer-muffler type		Port size		Thread	
M5	M5	04	1/2"	Blank	PT
01	1/8"	06	3/4"	N	NPT
02	1/4"	08	1"		
03	3/8"				

Model	A	D	d	L	F	S	B
EC-M5	M5	4.0	2.5	18.0	4.2	8.0	2.5
EC-01	PT 1/8"	8.0	6.0	25.0	7.0	13.0	4.0
EC-02	PT 1/4"	10.0	8.5	30.5	8.0	15.0	4.0
EC-03	PT 3/8"	14.0	12.0	43.0	10.0	22.0	5.0
EC-04	PT 1/2"	18.0	15.0	50.5	11.0	24.0	6.0
EC-06	PT 3/4"	21.0	19.0	59.5	14.5	30.0	6.5
EC-08	PT 1"	27.0	26.0	72.8	7.0	16.8	36.0

