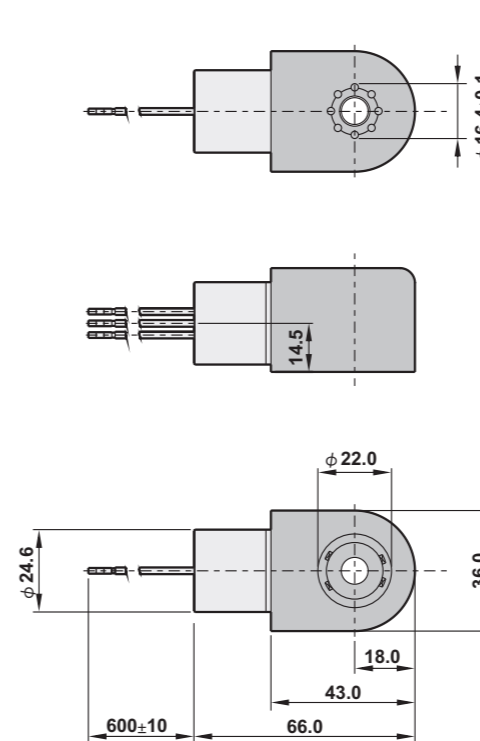


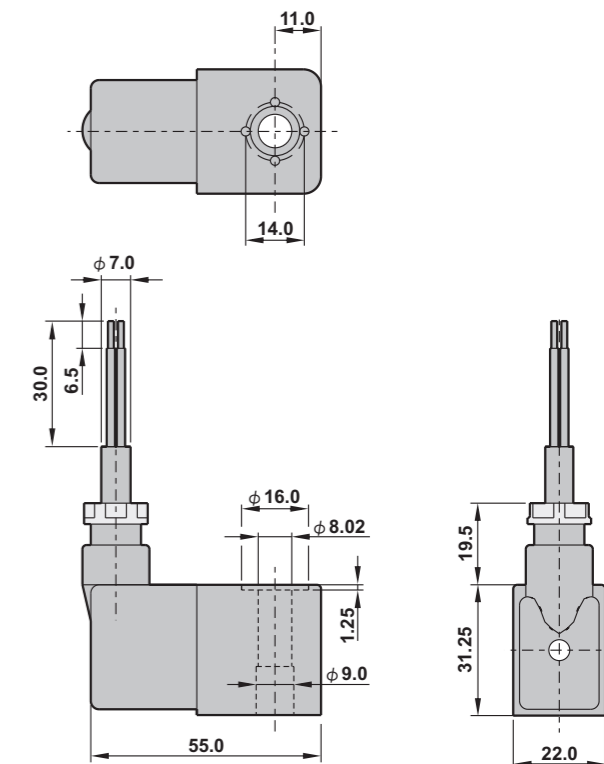


Dimensions

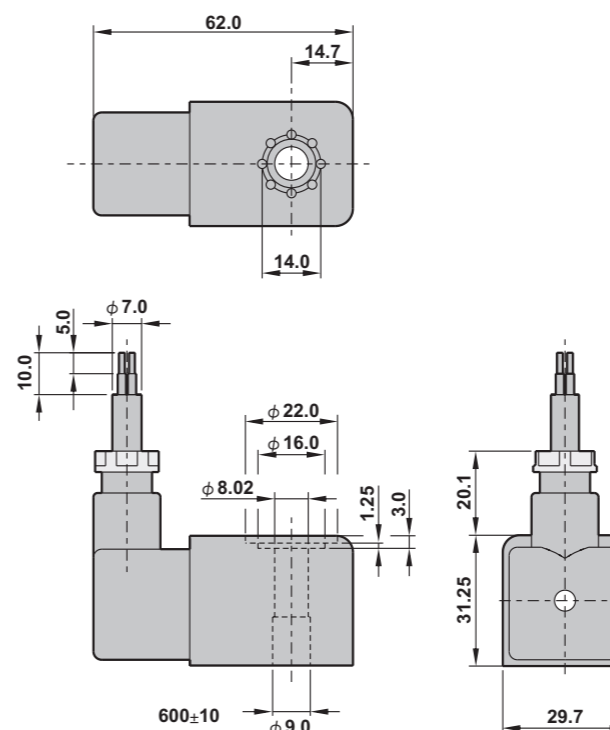
8-36 CSA NPTF 1/2"



8-22 EExm T4



8-30 EExm T4



Order code

VOLTAGE	CSA T4 WIDTH 36mm	EEx m II T4 WIDTH 22mm	EEx m II T4 WIDTH 30mm
220VAC	SA20836GTCN	SA20822ET4N	SA20830DT4N
110VAC	SA10836GTCN	SA10822ET4N	SA10830DT4N
24VDC	SD90836JTCN	SD90822KT4N	SD90830KT4N
24VAC		SA90822ET4N	

※Special voltage on your request

Specifications

Ex-proof coil system	8-36 CSA NPTF 1/2" T4		8-22 EEx m II T4		8-30 EEx m II T4	
Function	3/2 way, 5/2 way					
Operating	Normally closed					
Ambient temperature	-20°C ~ +50°C					
Isolation class of material	F (according to Din VDE0580)					
Degree of protection	IP65 (according to EN60529)					
Moulding material	Thermoplastic					
Voltage tolerance	±10%					
Duty cycle	100% ED					
Voltage	VDC	AC(50Hz,60Hz)	VDC	AC(50Hz,60Hz)	VDC	AC(50Hz,60Hz)
Rated power	4.5W	7.5VA, 6.5VA	5W	5.5VA, 4.4VA	5.2W	5.3VA, 4.8VA
Final temperature rise	50K	40K	50K	40K	55K	50K
Cable length	24"		3m		3m	