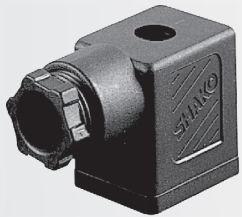


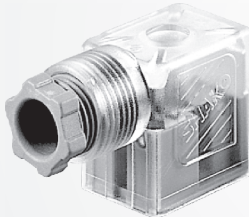
Order code

CODE:
CN2211S9BSG



Order code

CODE:
AC : CN2211S9ASG
DC : CN2211S9DSG



Order code

CODE:
CN2211S9BGG
1/2" NPTF conduit connector

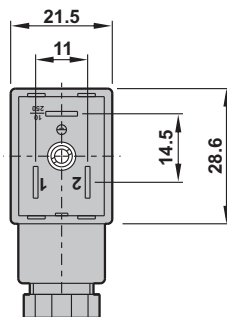
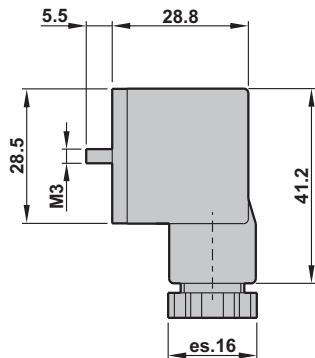


Specifications

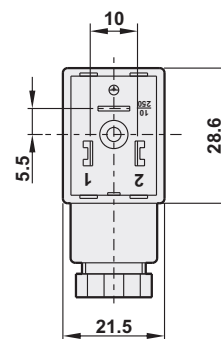
Housing	Black and gray: PA+30% GF
Contact holder, Gland out	PA + 30% GF
Cable diameter, Gland size	6-8mm PG9 or 1/2"NPTF
Contact material	Cu Zn (AG)
Max. voltage	250VAC/300VDC
Max. current	16A
Operating current	10A
Spacing	11mm
Max. wire cross-section	1.5mm ²
Insulation class	C-VDE0110
Working temperature	-40°C ~+120°C

Dimensions

● CN2211S9BSG, CN2211S9ASG



● CN2211S9DSG



● CN2211S9BGG

